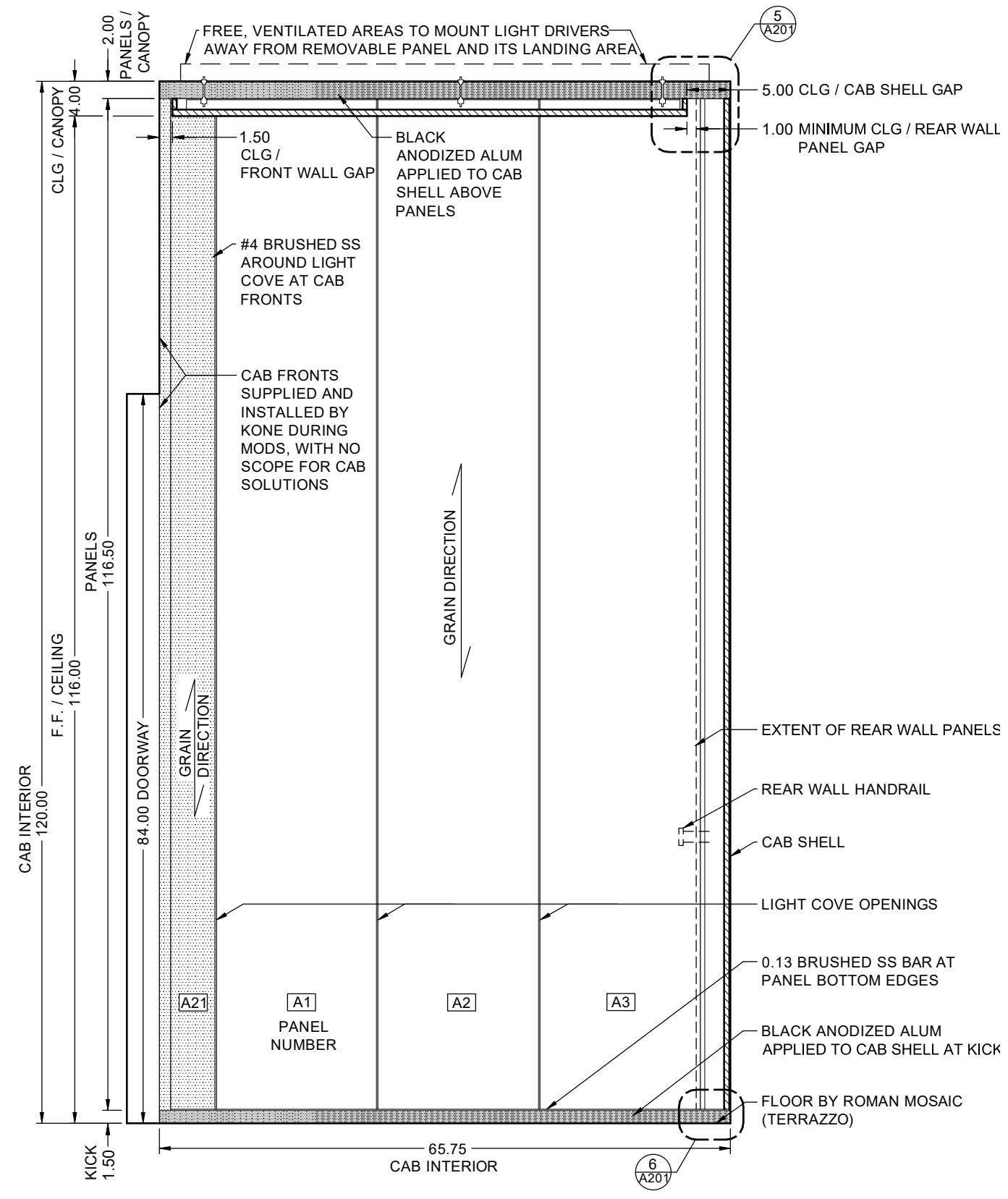


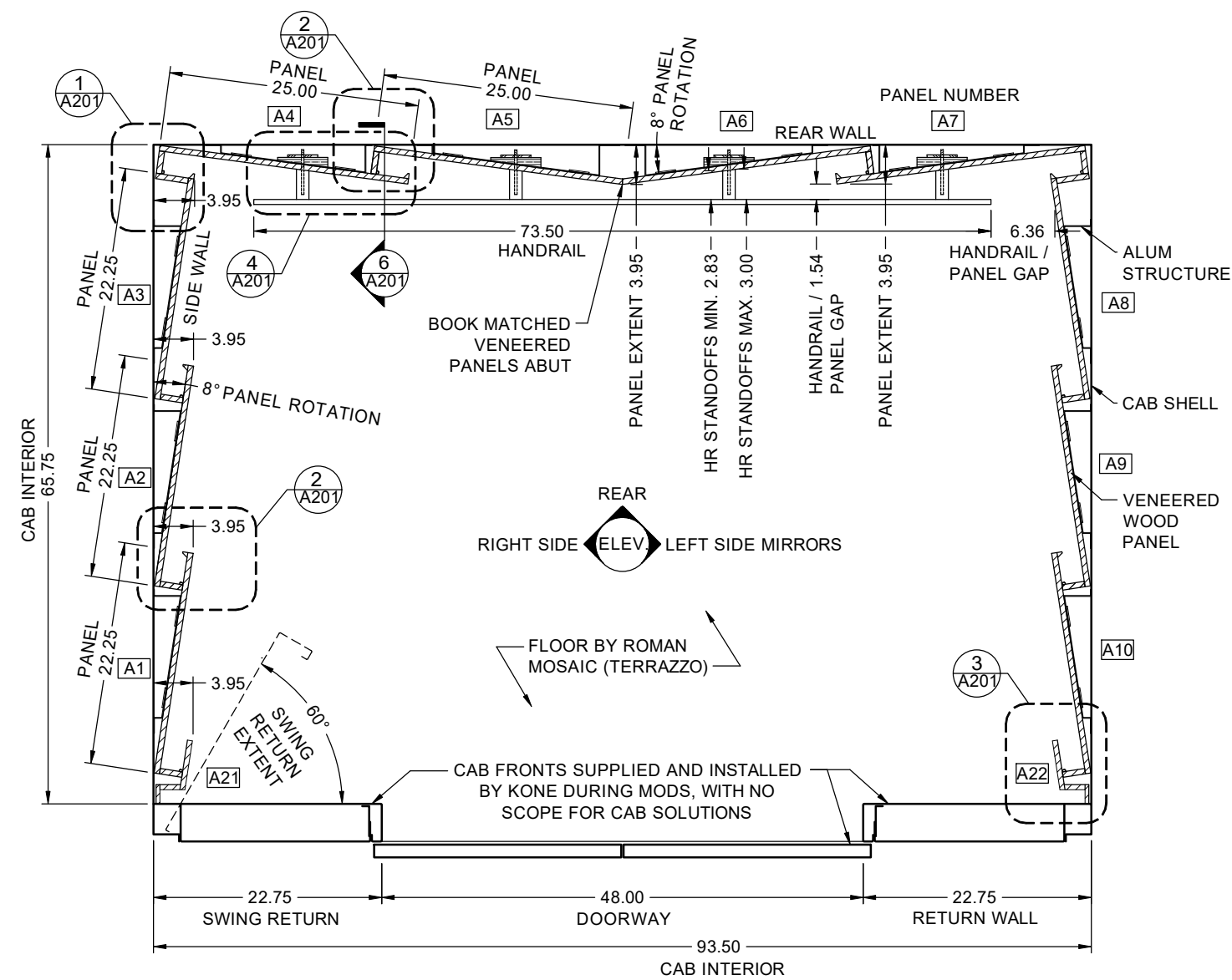
Rear Wall Elevation

Scale: 1" = 3/4"



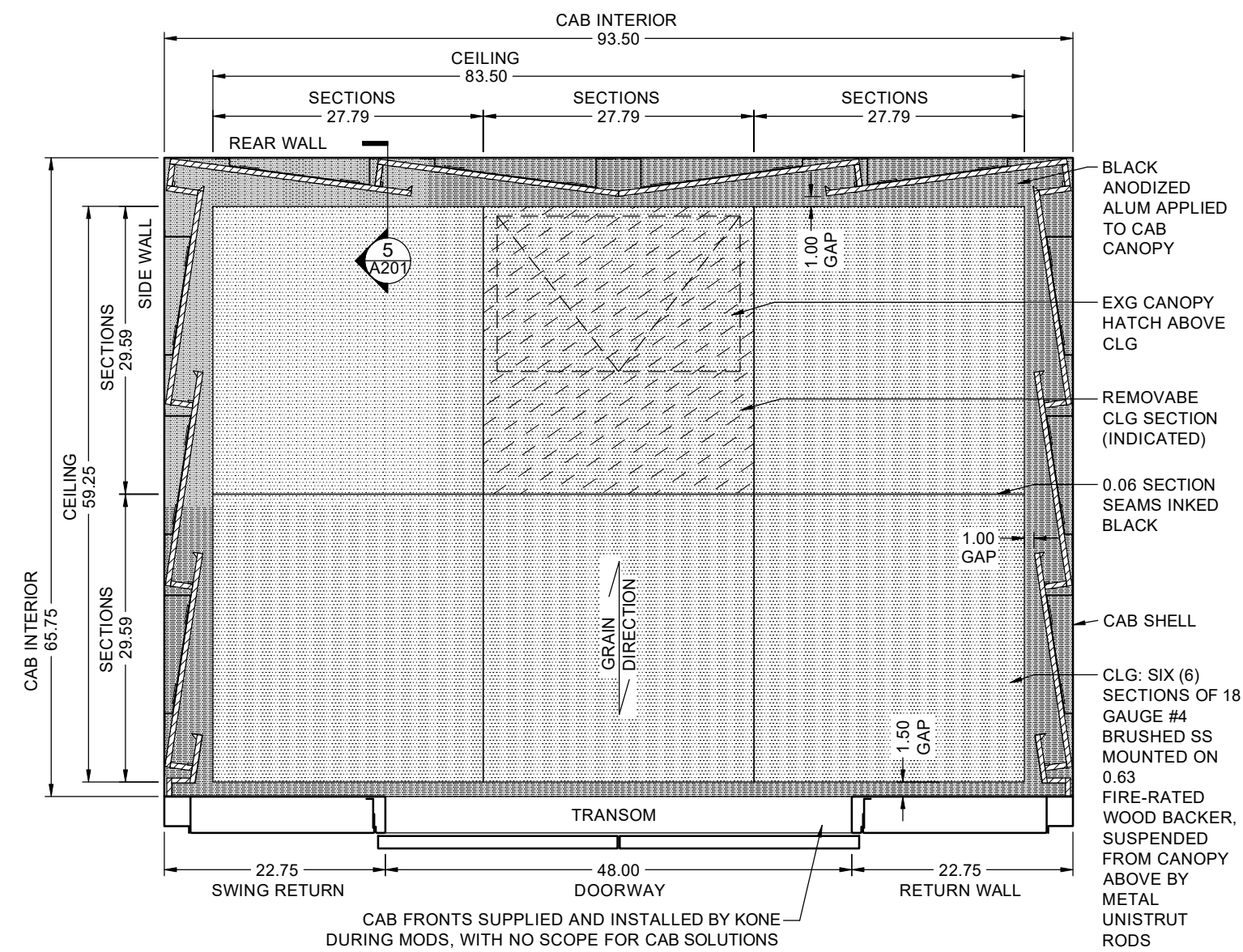
Right Side Wall Elevation

Scale: 1" = 3/4"



Plan

Scale: 1" = 3/4"



Reflected Ceiling Plan

Scale: 1" = 3/4"

REVISIONS	
11 Jul 2021	Submitted
10 Aug 2021	Submitted
5 Sep 2021	

PROJECT TITLE  
Commonwealth Towers

PRINCIPAL  
Steve McDonald  
215-355-0501

PROJECT ADDRESS  
Commonwealth Towers  
1300 Wilson Blvd  
Arlington, VA 22209

CAB SOLUTIONS REF.	DATE
517	5 Sep 2021

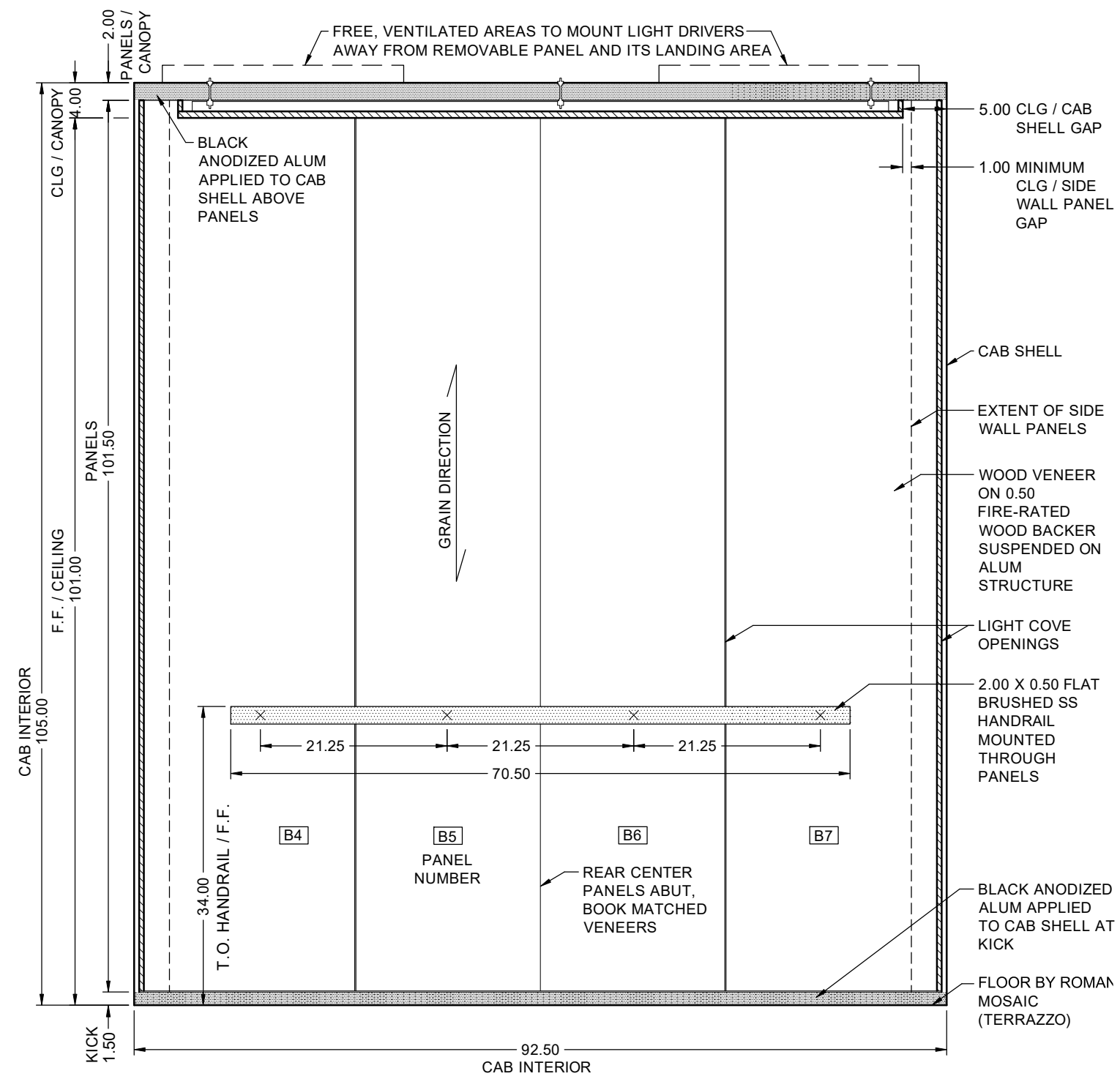
SHEET	SCALE
1 of 10	1" = 3/4"

DRAWING  
Cab A  
Plans, Elevations

DRAWN	<b>A101</b>
ES	
CHECKED	
SM	

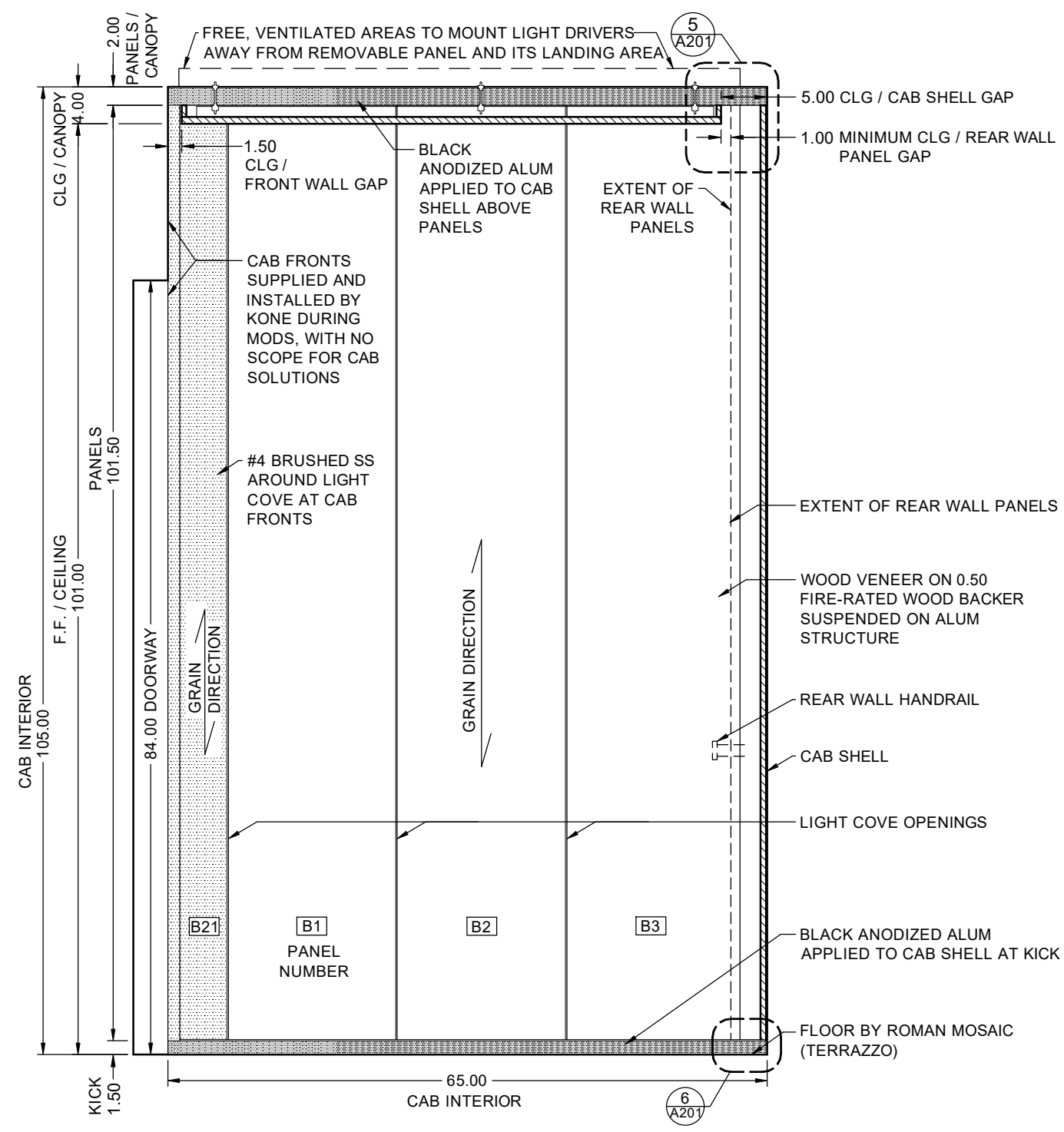
Cab Solutions  
1621 Loretta Ave.  
Feasterville, PA 19053  
tel.: 215-355-0501  
email: smcdonald@cabsolution.com  
website: https://cabsolution.com/





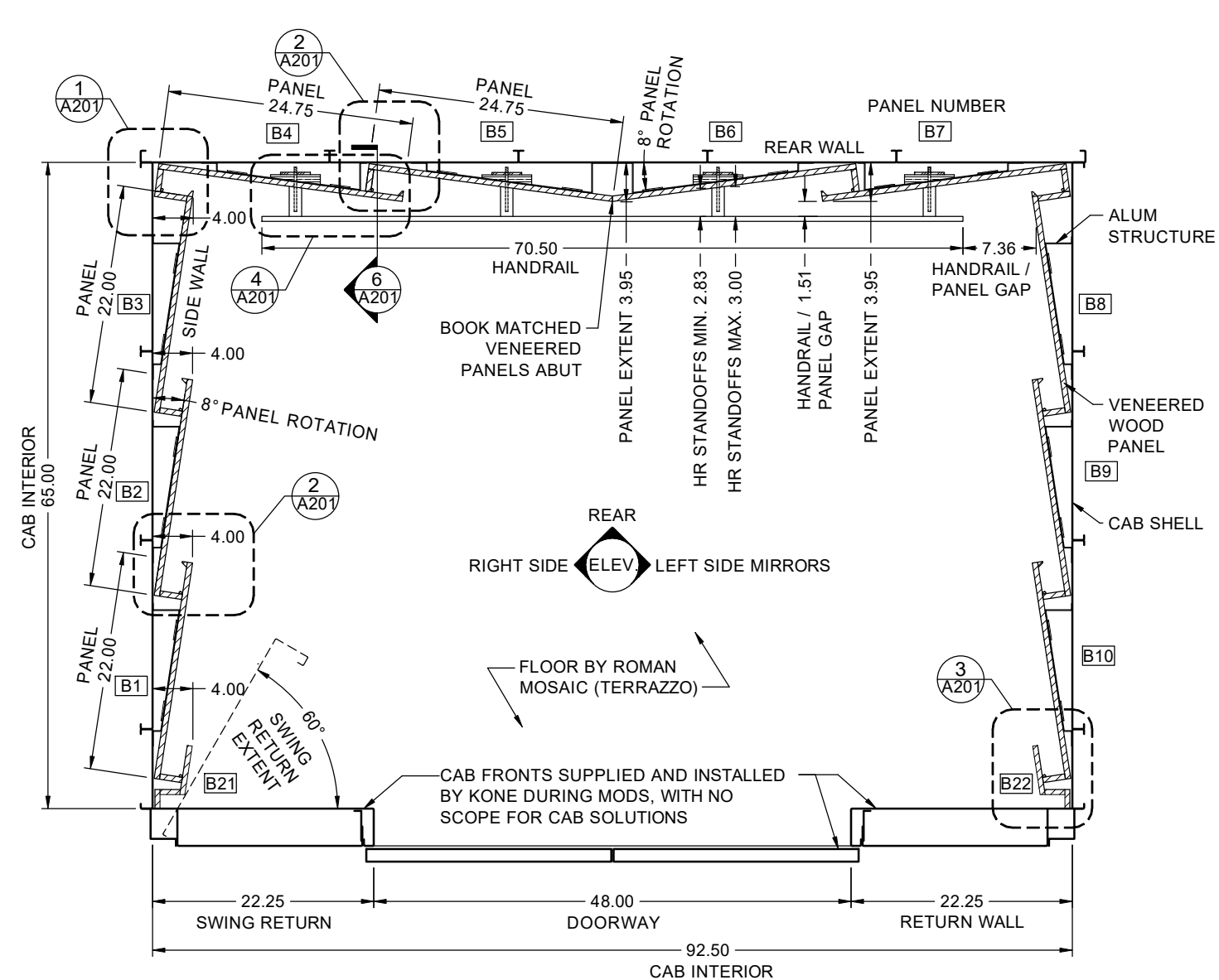
Rear Wall Elevation

Scale: 1" = 3/4"



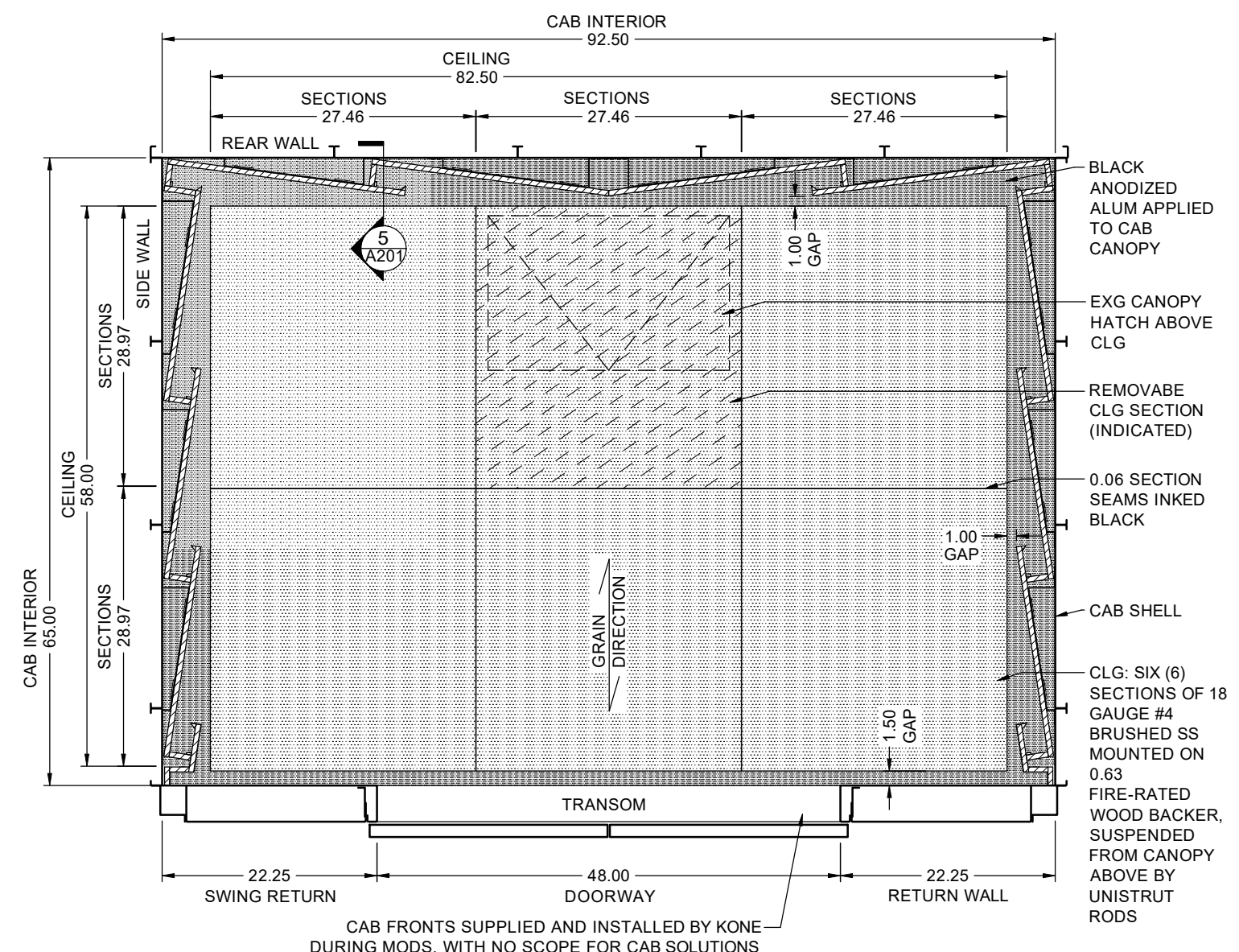
Right Side Wall Elevation

Scale: 1" = 3/4"



Plan

Scale: 1" = 3/4"



Reflected Ceiling Plan

Scale: 1" = 3/4"

REVISIONS  
11 Jul 2021 Submitted  
10 Aug 2021 Submitted  
5 Sep 2021

PROJECT TITLE  
Commonwealth Towers

PRINCIPAL  
Steve McDonald  
215-355-0501

PROJECT ADDRESS  
Commonwealth Towers  
1300 Wilson Blvd  
Arlington, VA 22209

CAB SOLUTIONS REF. DATE  
517 5 Sep 2021

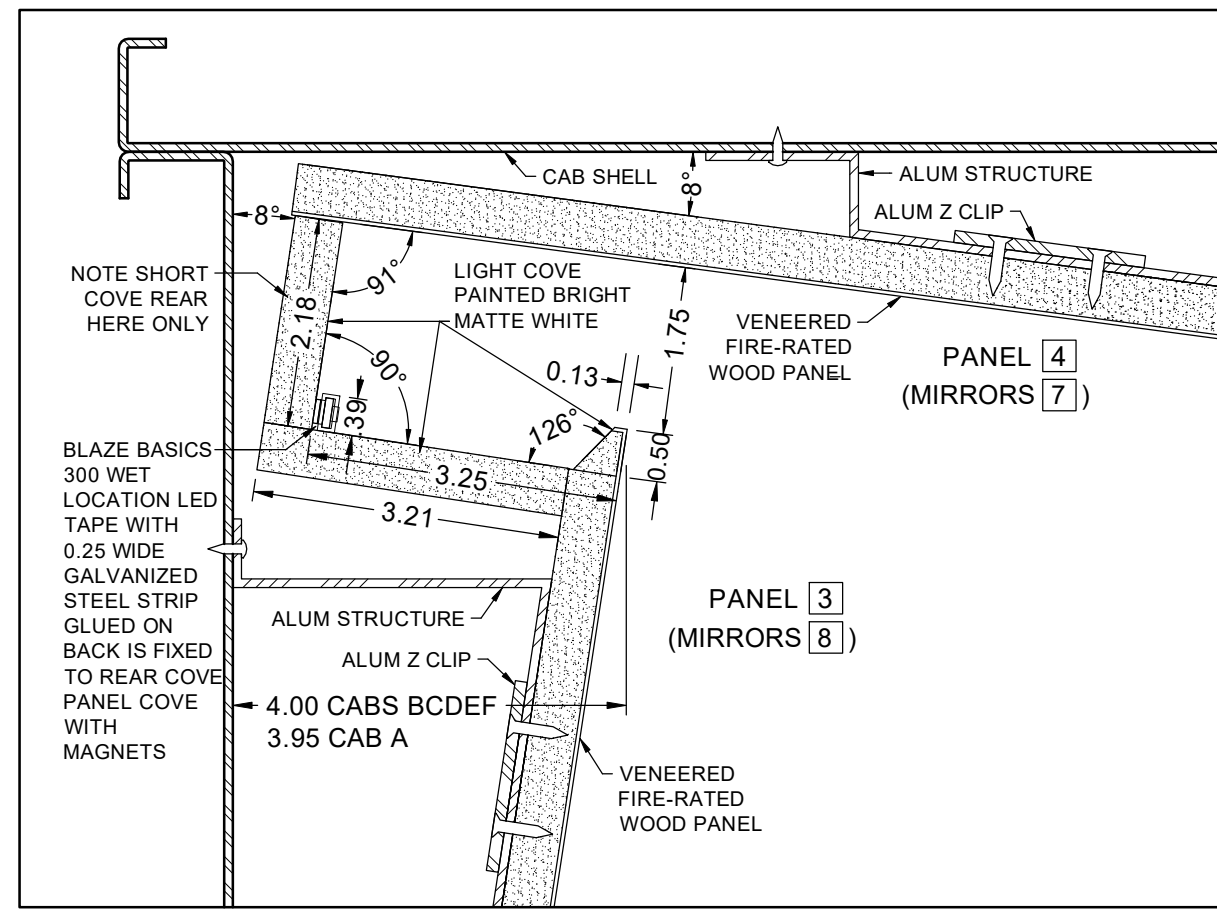
SHEET SCALE  
2 of 10 1" = 3/4"

DRAWING  
Cabs B, C, D, E, F  
Plans, Elevations

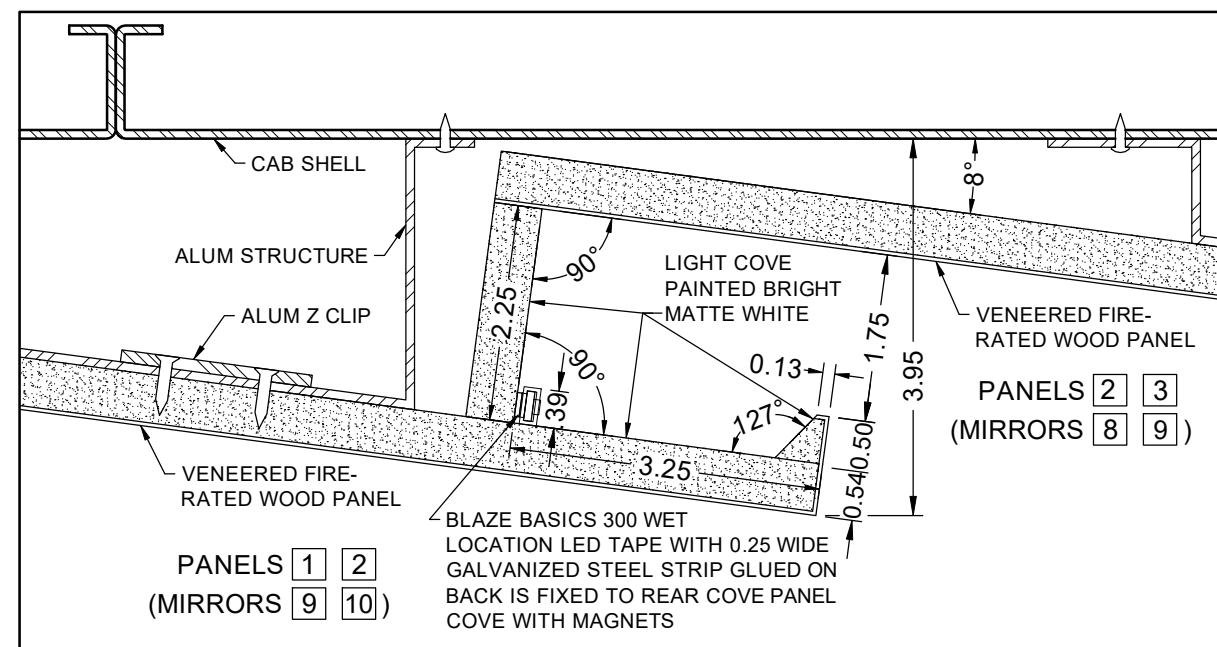
DRAWN CHECKED SM  
A102

Cab Solutions  
1621 Loretta Ave.  
Feasterville, PA 19053  
tel.: 215-355-0501  
email: smcdonald@cabsolution.com  
website: https://cabsolution.com/

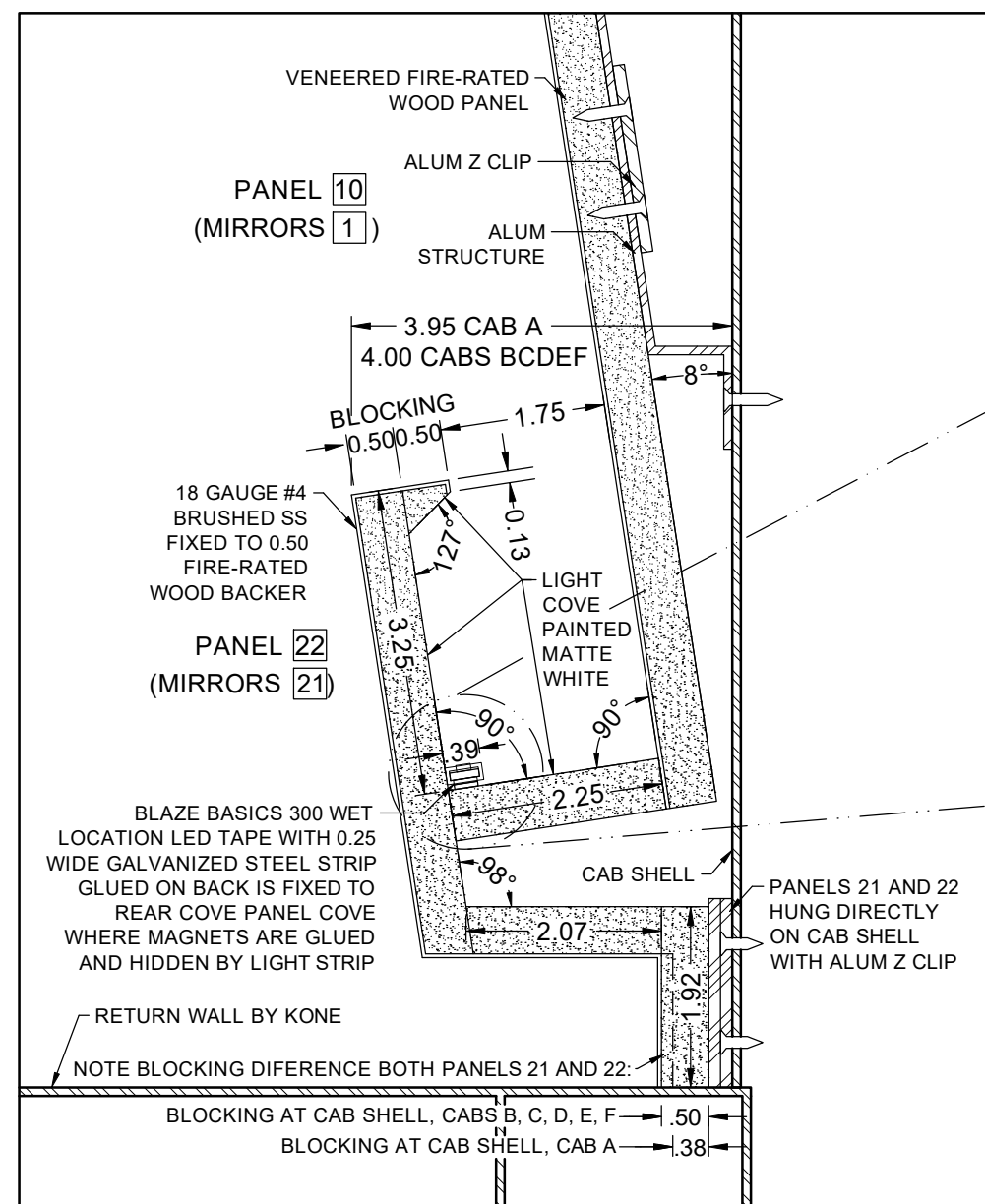
ELEVATOR INTERIOR REMODELING  
CABSOLUTIONS



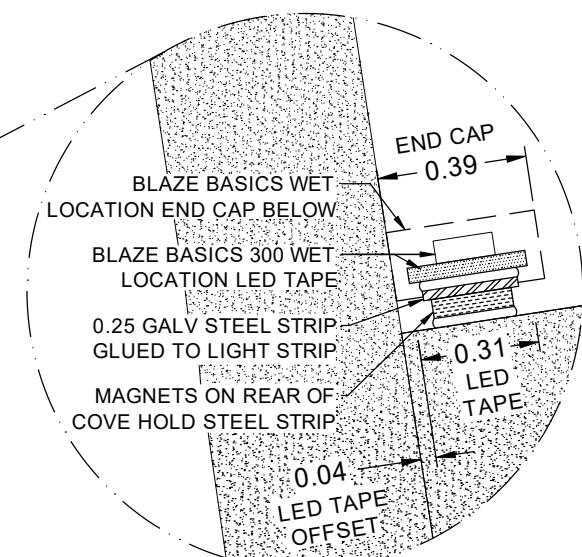
**Detail 1** Rear Corner Panel Cove  
Scale: 1' = 6"



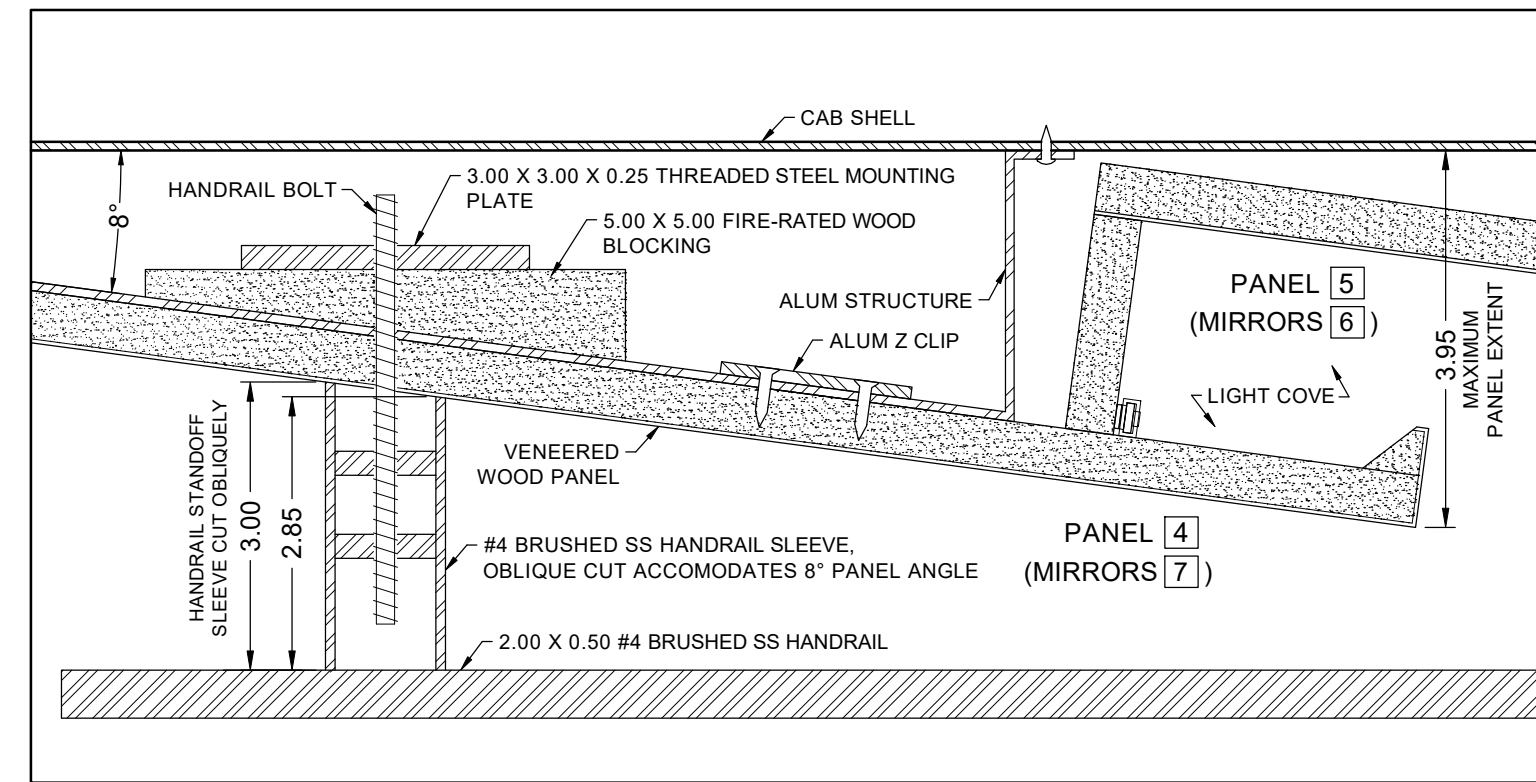
**Detail 2** Rear and (rotated) Side Wall Panel Covers  
Scale: 1' = 6"



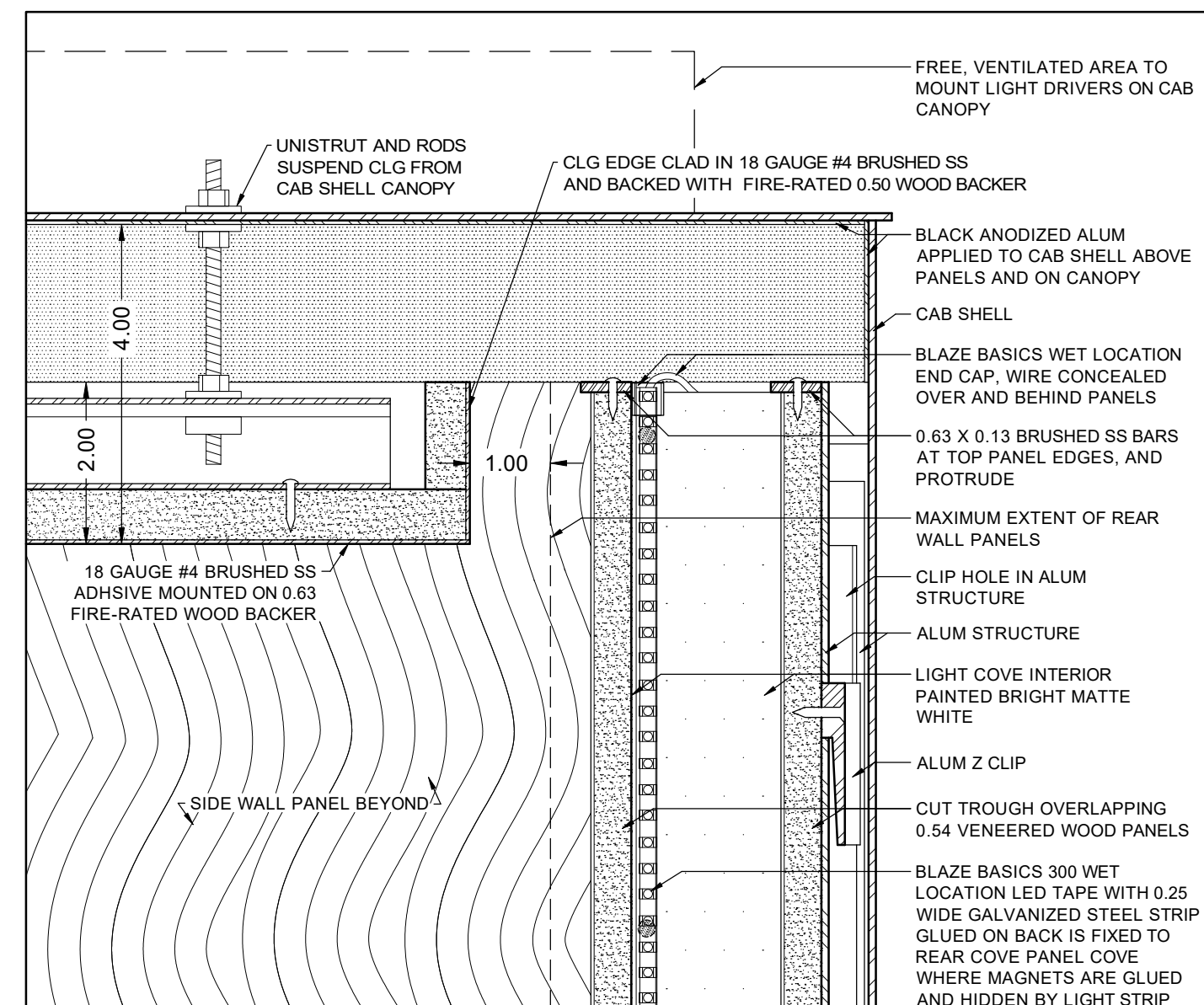
**Detail 3** Front Corner Panel Cove  
Scale: 1' = 6"



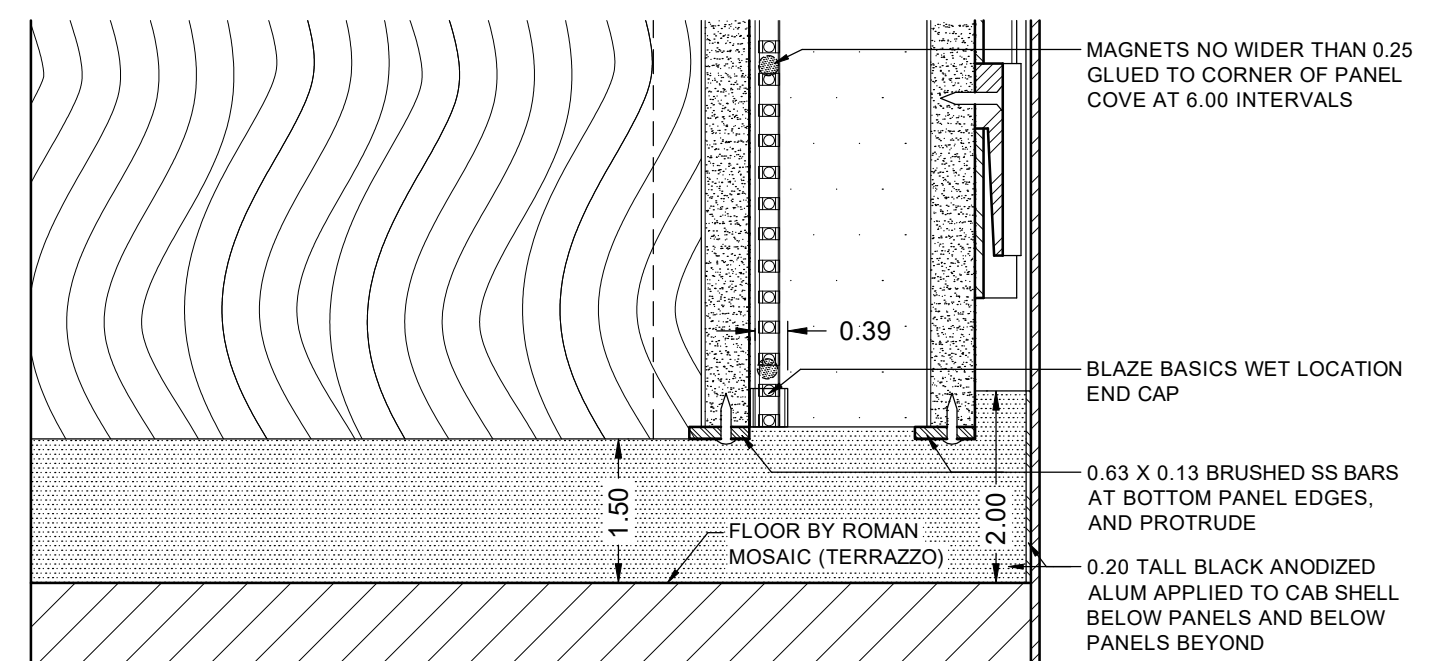
**LED Light Typ. Detail**  
Scale: 1' = 24"



**Detail 4** Handrail  
Scale: 1' = 6"



**Detail 5** Rear Panels / Ceiling  
Scale: 1' = 6"



**Detail 6** Rear Panels / Floor  
Scale: 1' = 6"

REVISIONS  
11 Jul 2021 Submitted  
10 Aug 2021 Submitted  
5 Sep 2021

PROJECT TITLE  
**Commonwealth Towers**

PRINCIPAL  
**Steve McDonald**  
215-355-0501

PROJECT ADDRESS  
**Commonwealth Towers**  
1300 Wilson Blvd  
Arlington, VA 22209

CAB SOLUTIONS REF. DATE  
517 5 Sep 2021

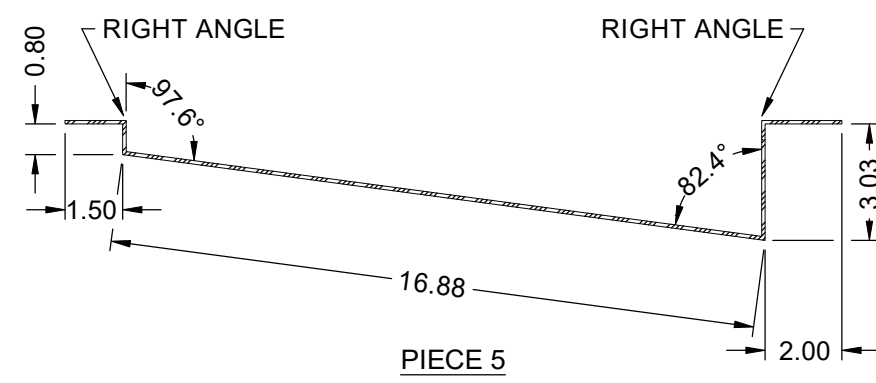
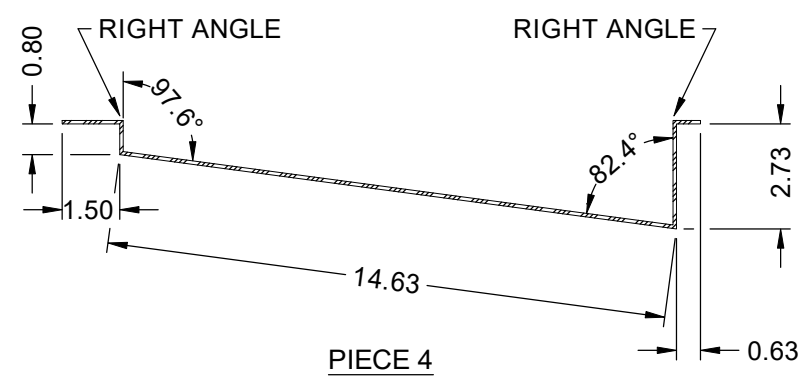
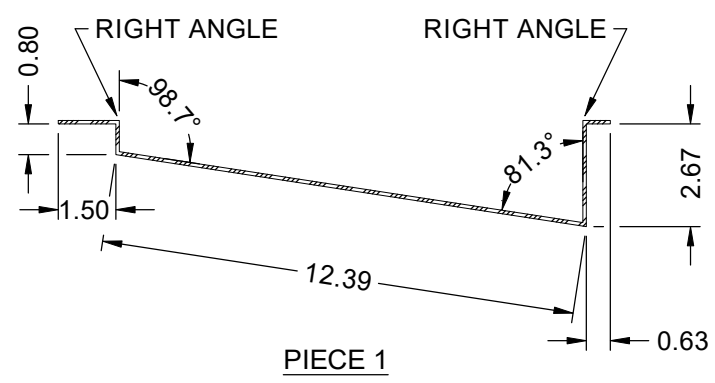
SHEET SCALE  
3 of 10 As Noted

DRAWING  
**Cabs A, B, C, D, E, F**  
Details

DRAWN  
ES  
CHECKED  
SM  
**A201**

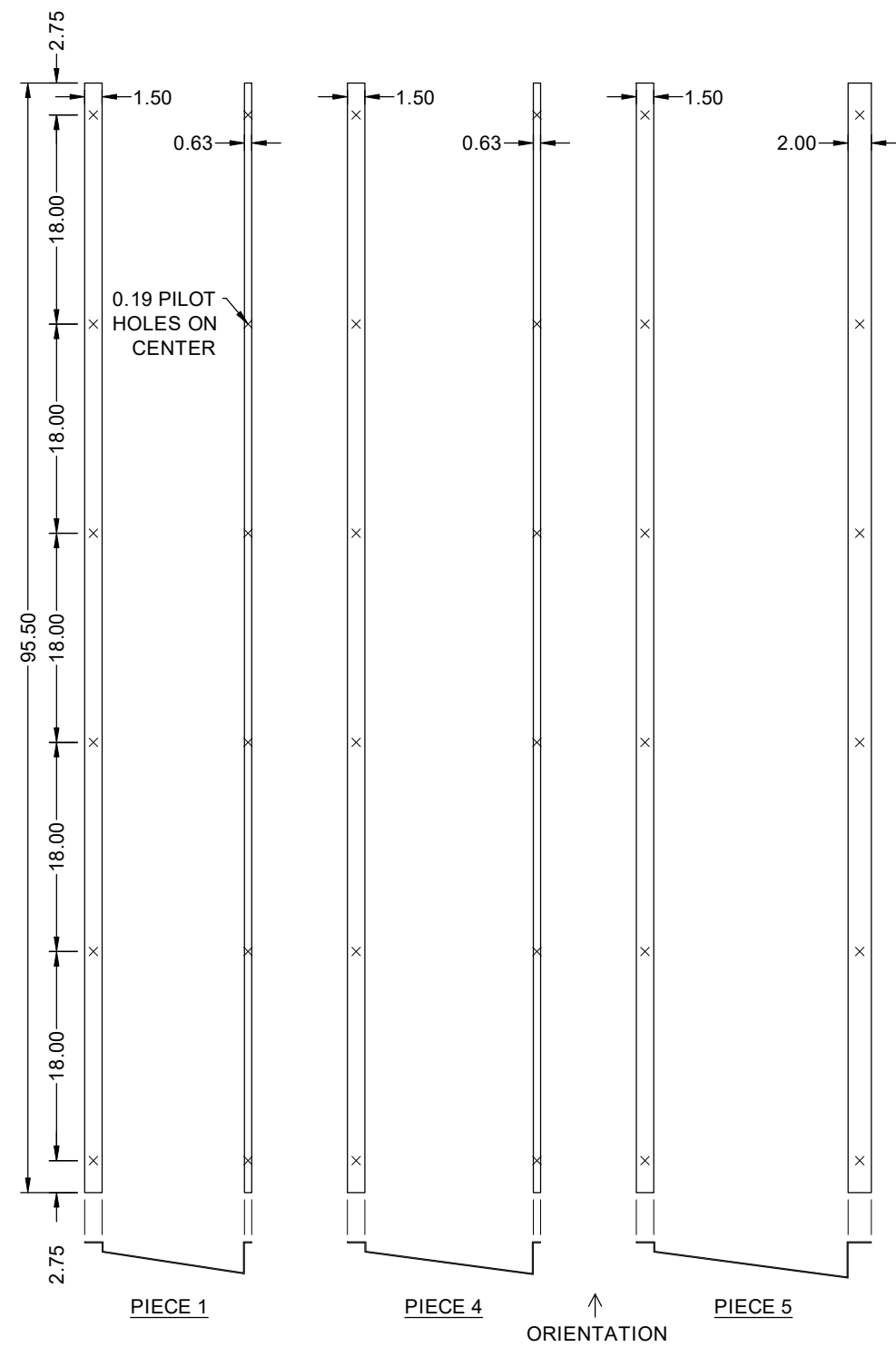
Cab Solutions  
1621 Loretta Ave.  
Feasterville, PA 19053  
tel.: 215-355-0501  
email: smcdonald@cabsolution.com  
website: https://cabsolution.com/

ELEVATOR INTERIOR REMODELING  
**CAB**  
CABSOLUTIONS

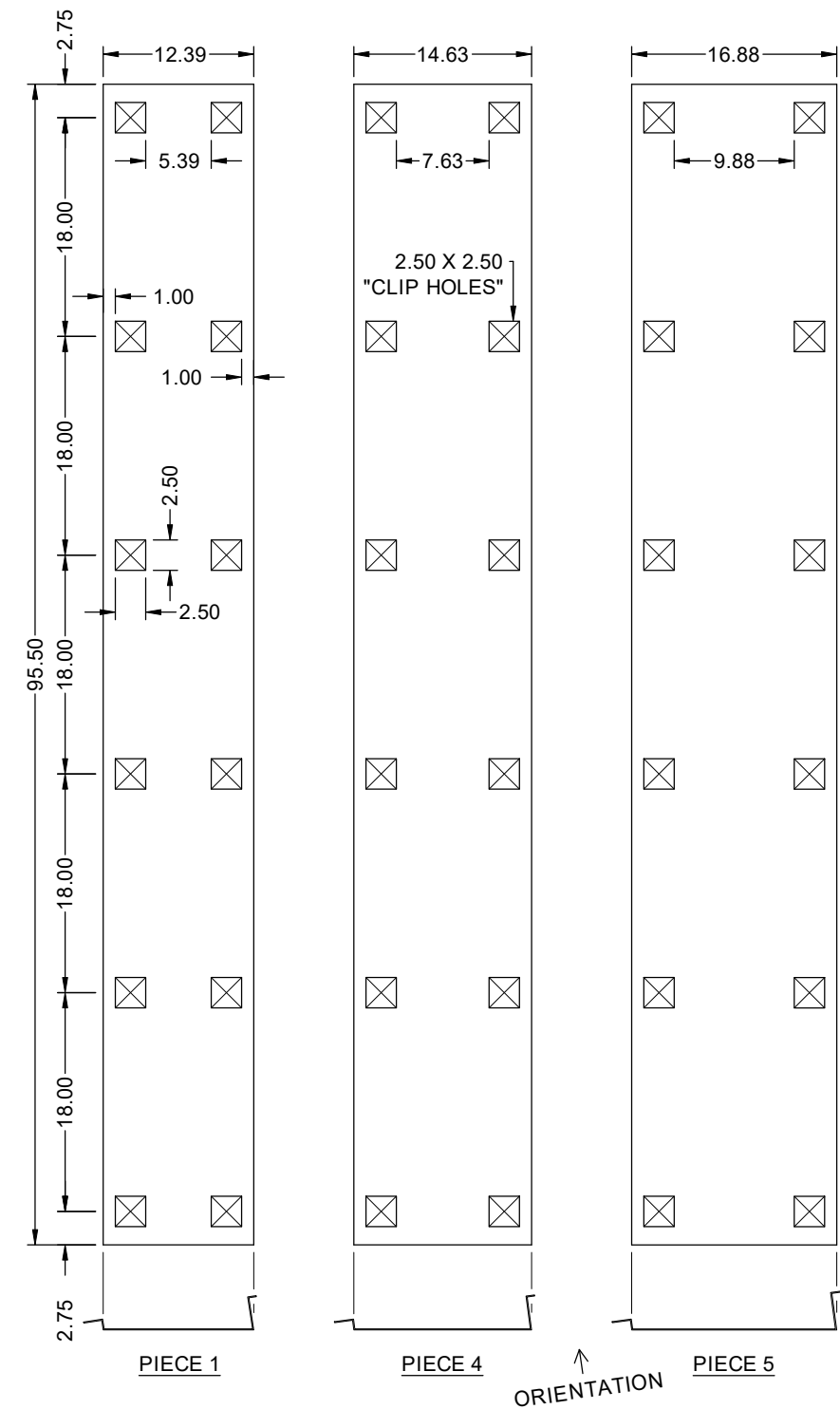


PIECE	QUANTITY	MATERIAL	GAUGE	APPLICATION
1	36	ALUMINUM	11	STRUCTURE
4	12	ALUMINUM	11	STRUCTURE
5	12	ALUMINUM	11	STRUCTURE
21A	2	#4 STAINLESS STEEL	16	FINISH
21B	10	#4 STAINLESS STEEL	16	FINISH

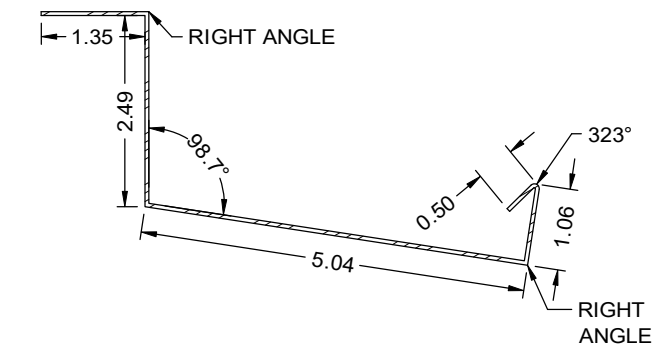
Aluminum Pieces  
Sections  
Scale: 1:5



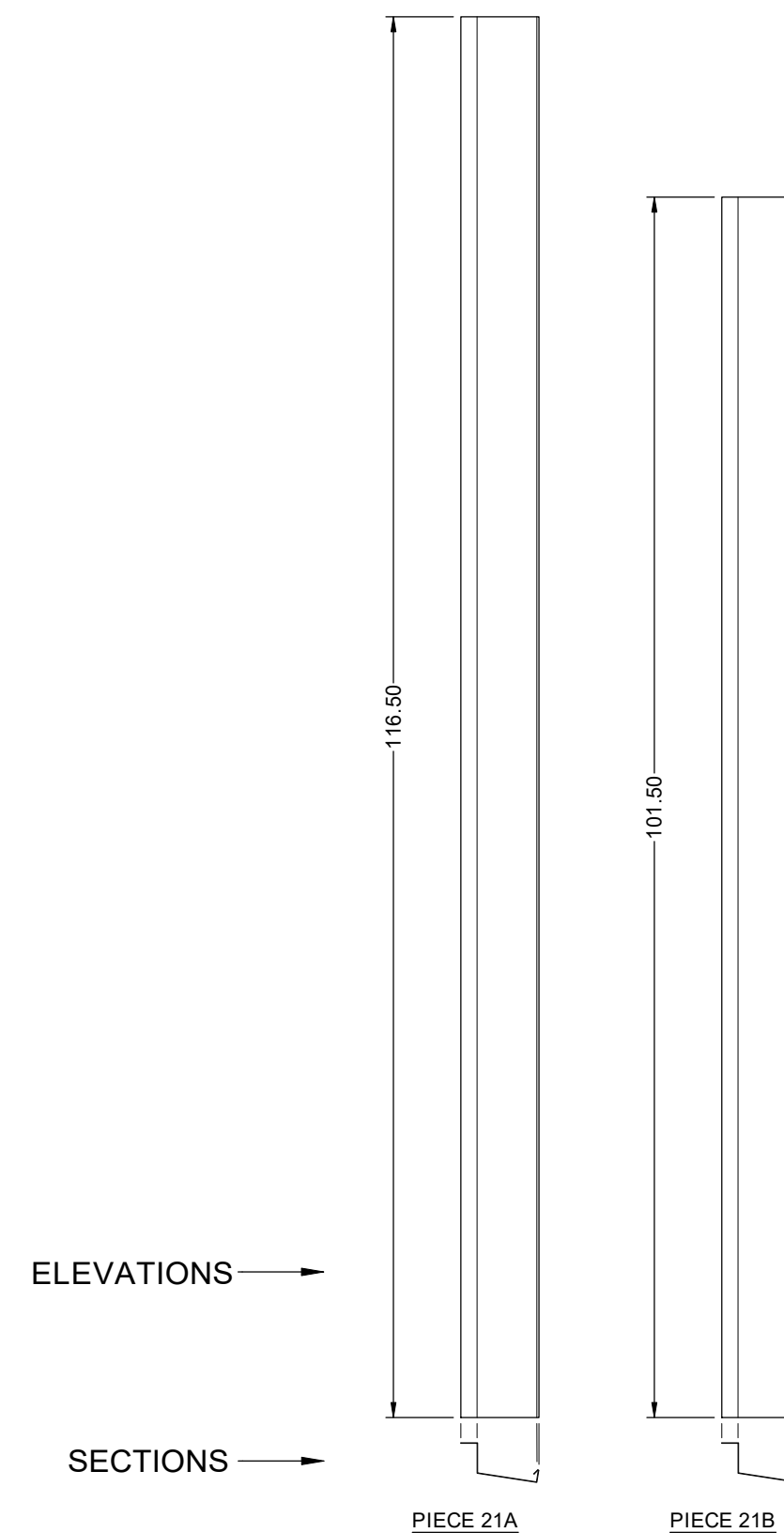
Aluminum Pieces  
Flange Elevations  
Scale: 1:15



Aluminum Pieces  
Face Elevations  
Scale: 1:15



SS Pieces  
Section  
Scale: 1:2.5



SS Pieces  
Elevations  
Scale: 1:15

REVISIONS  
10 Aug 2021 Submitted  
5 Sep 2021

PROJECT TITLE  
Commonwealth Towers

PRINCIPAL  
Steve McDonald  
215-355-0501

PROJECT ADDRESS  
Commonwealth Towers  
1300 Wilson Blvd  
Arlington, VA 22209

CAB SOLUTIONS REF. DATE  
517 5 Sep 2021

SHEET SCALE  
4 of 10 As Noted

DRAWING  
Cabs A, B, C, D, E, F  
Metal Pieces

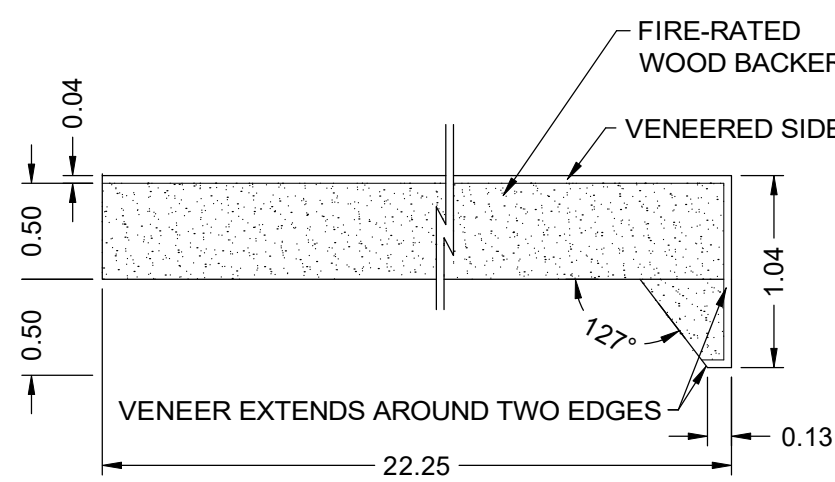
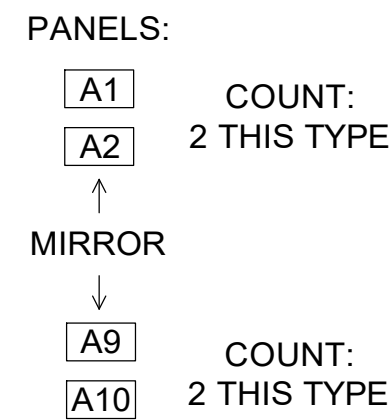
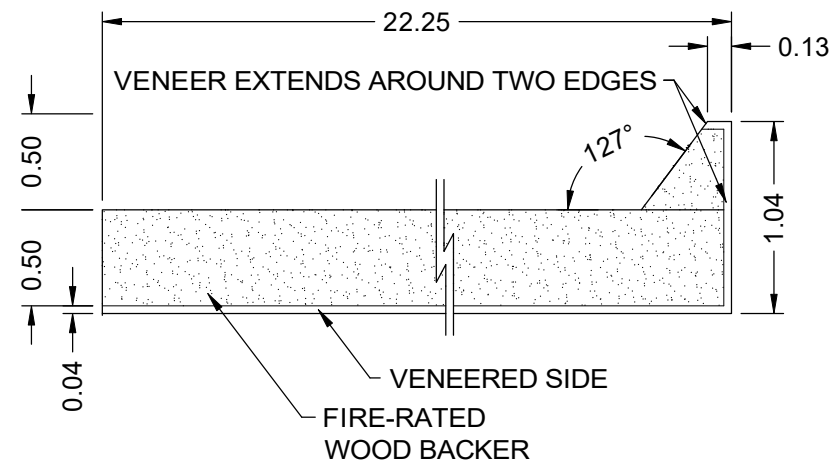
DRAWN  
ES  
CHECKED  
SM  
**A301**

Cab Solutions  
1621 Loretta Ave.  
Feasterville, PA 19053  
tel.: 215-355-0501  
email: smcdonald@cabsolution.com  
website: https://cabsolution.com/

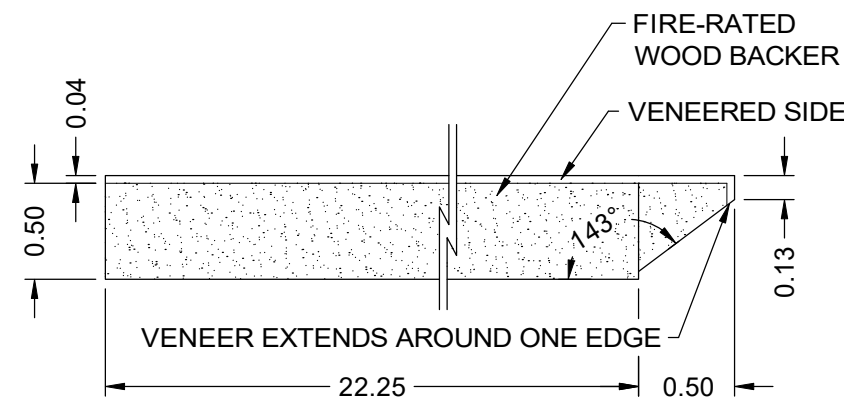
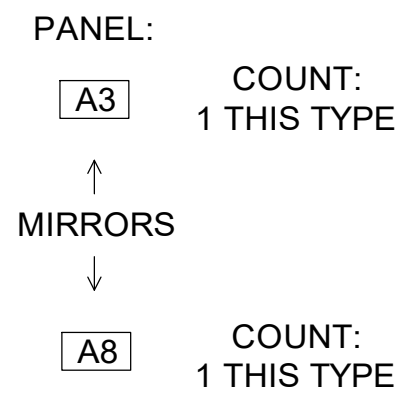
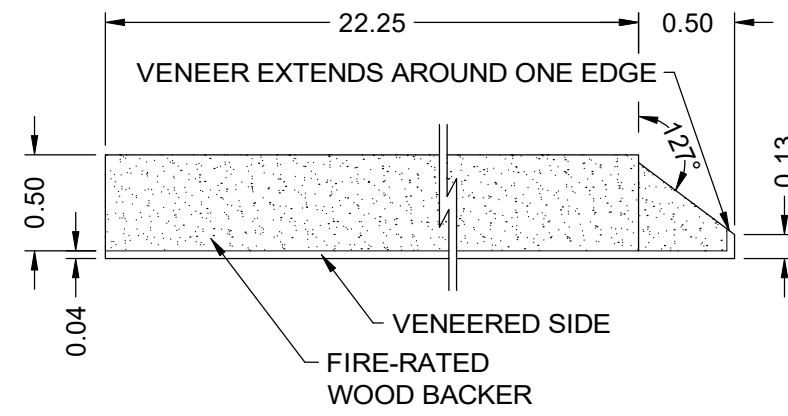
ELEVATOR INTERIOR REMODELING  
**CAB**  
CABSOLUTIONS

### A1 - A10 Veneered Wood Panels

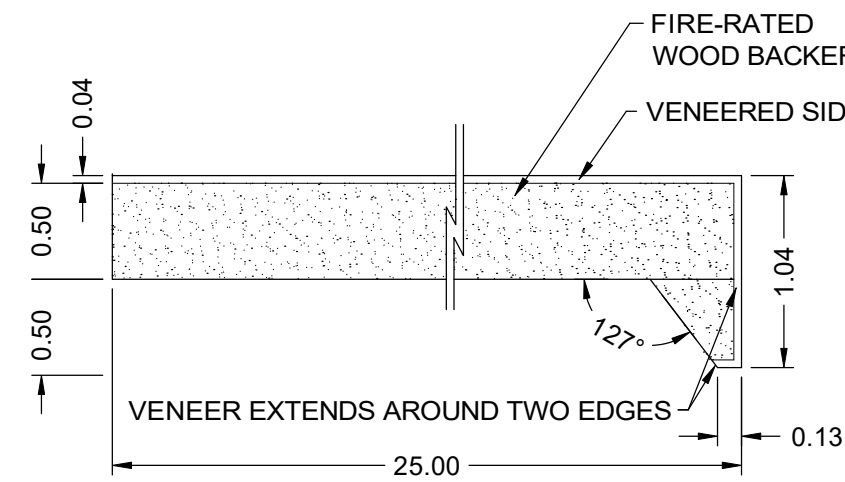
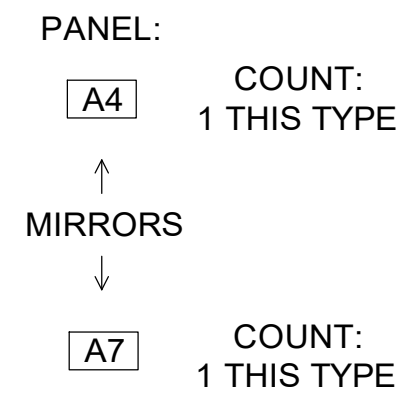
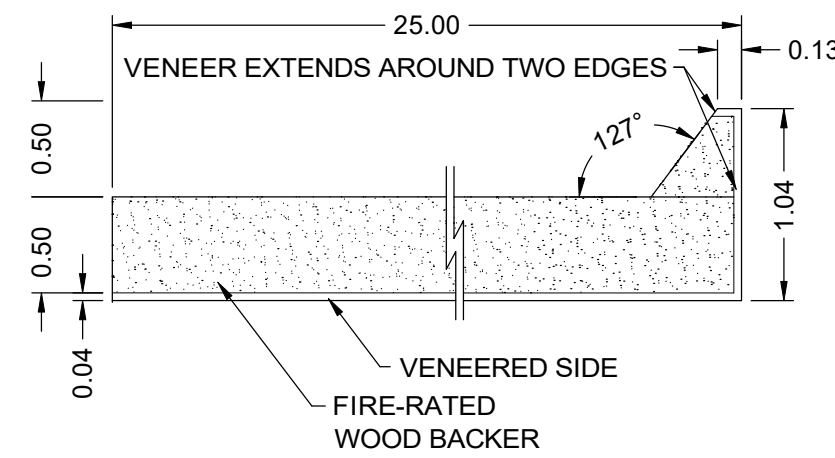
- AA Grade quarter cut hickory
- Slip matched except where noted at panels 5 and 6
- Vertical grain orientation
- 116.50 inches tall
- 10 panels total



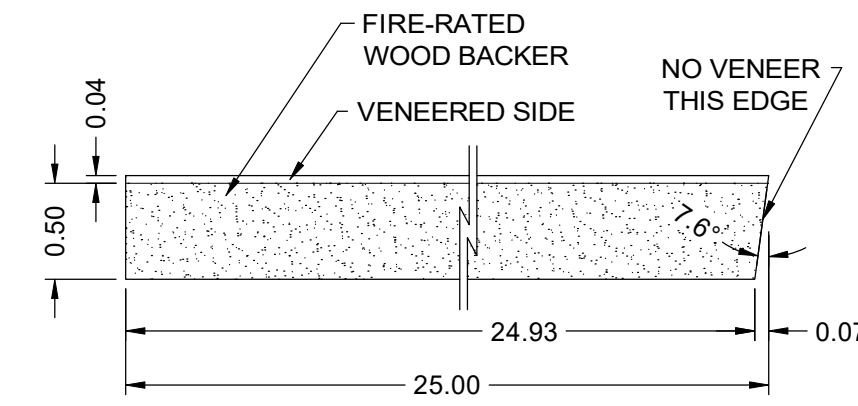
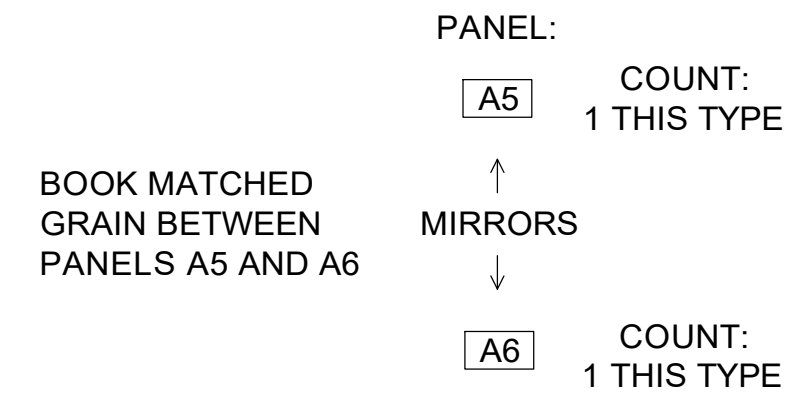
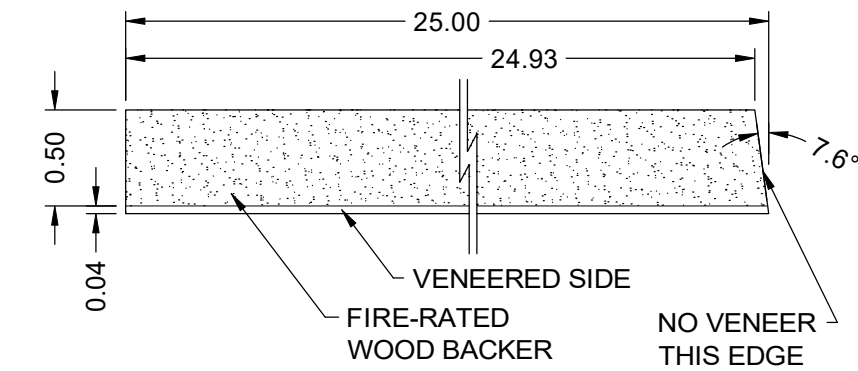
Details  
Scale: 1:1



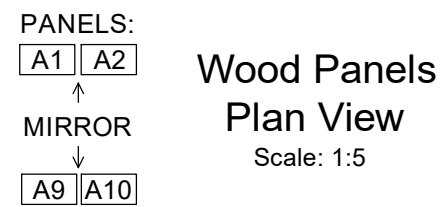
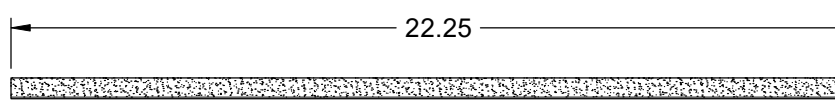
Details  
Scale: 1:1



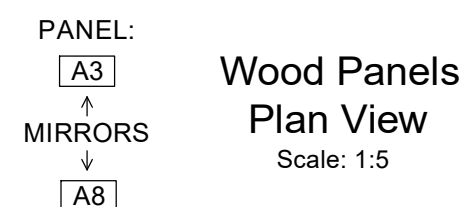
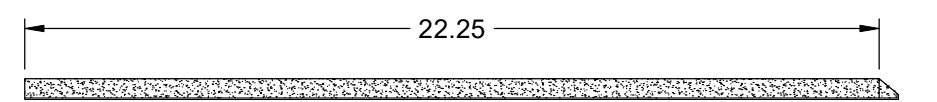
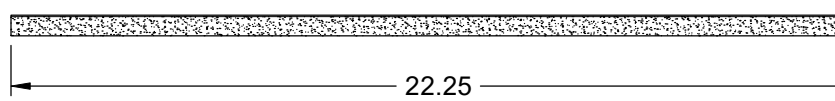
Details  
Scale: 1:1



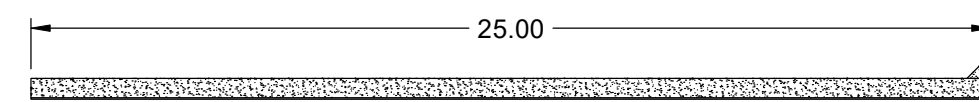
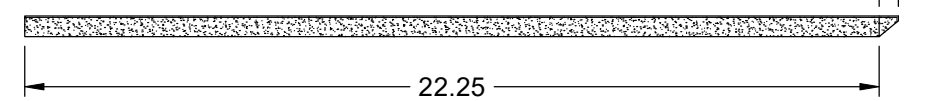
Details  
Scale: 1:1



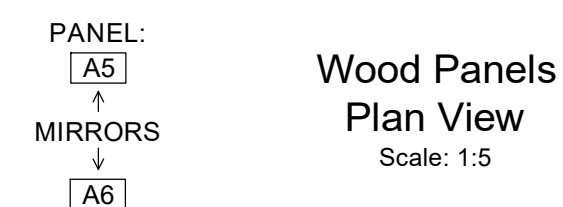
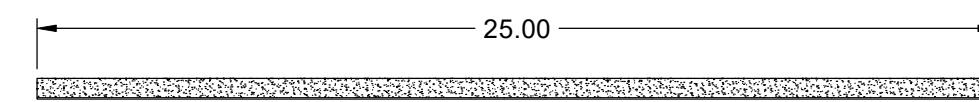
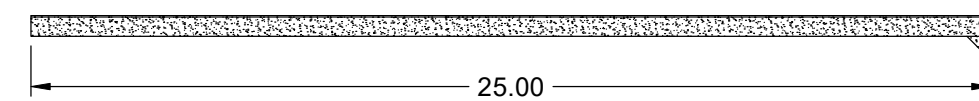
Wood Panels  
Plan View  
Scale: 1:5



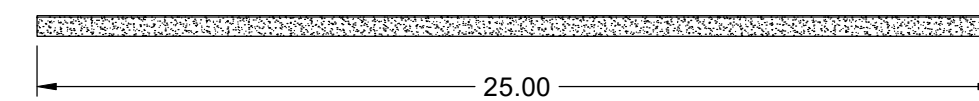
Wood Panels  
Plan View  
Scale: 1:5



Wood Panels  
Plan View  
Scale: 1:5



Wood Panels  
Plan View  
Scale: 1:5



REVISIONS  
 10 Aug 2021 Submitted  
 5 Sep 2021

PROJECT TITLE  
 Commonwealth Towers

PRINCIPAL  
 Steve McDonald  
 215-355-0501

PROJECT ADDRESS  
 Commonwealth Towers  
 1300 Wilson Blvd  
 Arlington, VA 22209

CAB SOLUTIONS REF. DATE  
 517 5 Sep 2021

SHEET SCALE  
 5 of 10 As Noted

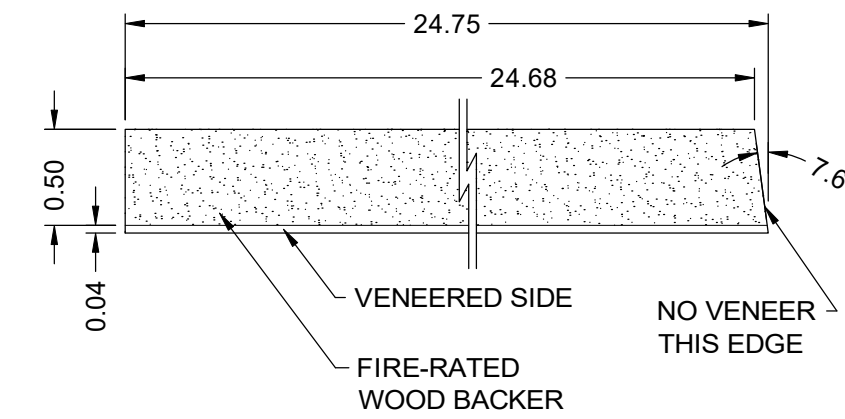
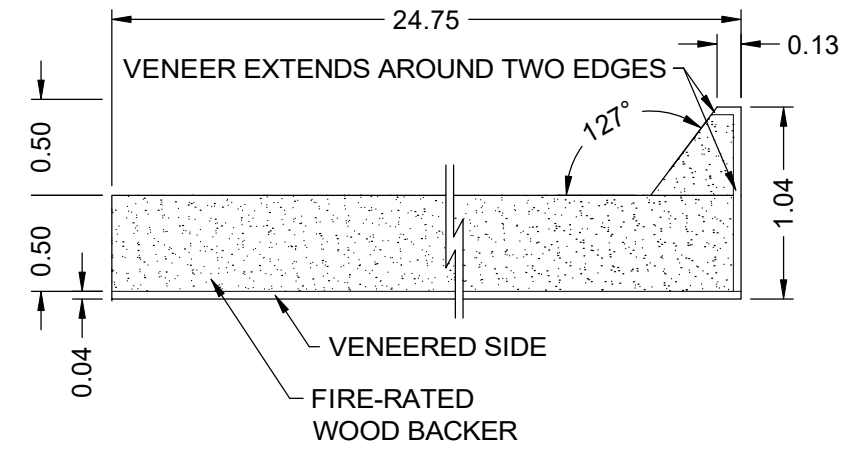
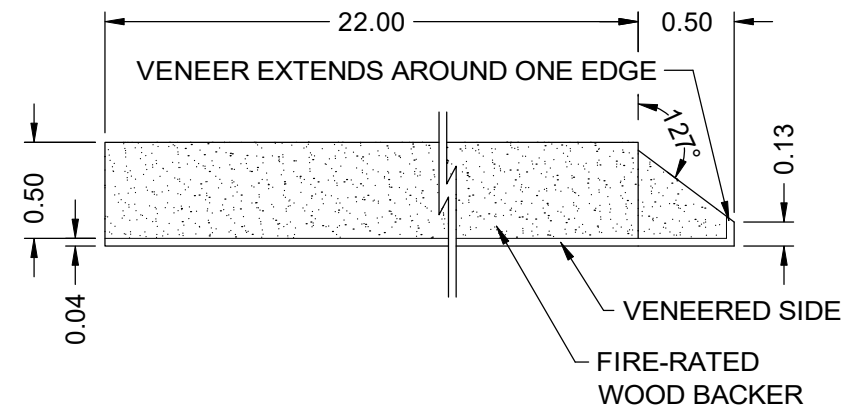
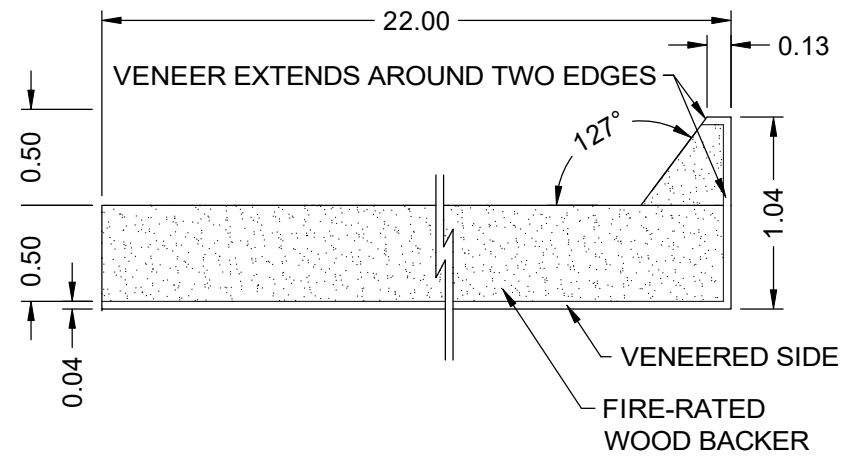
DRAWING  
 Cab A  
 A Veneered Wood Panels  
 Fabricator Details

DRAWN  
 ES  
 CHECKED  
 SM **A302**

Cab Solutions  
 1621 Loretta Ave.  
 Feasterville, PA 19053  
 tel.: 215-355-0501  
 email: smcdonald@cabsolution.com  
 website: https://cabsolution.com/

### B1 - B10 Veneered Wood Panels

- AA Grade quarter cut hickory
- Slip matched except where noted at panels 5 and 6
- Vertical grain orientation
- 101.50 inches tall
- 50 panels total



PANELS:

B1 COUNT: 10 THIS TYPE  
B2

MIRROR

B9 COUNT: 10 THIS TYPE  
B10

PANEL:

B3 COUNT: 5 THIS TYPE

MIRRORS

B8 COUNT: 5 THIS TYPE

PANEL:

B4 COUNT: 5 THIS TYPE

MIRRORS

B7 COUNT: 5 THIS TYPE

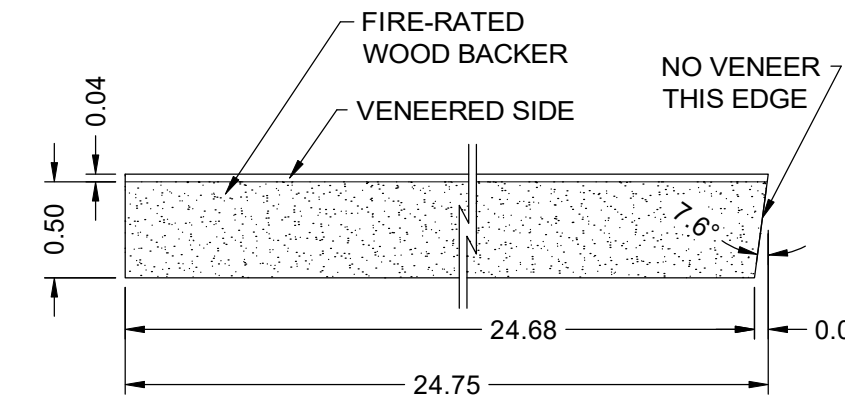
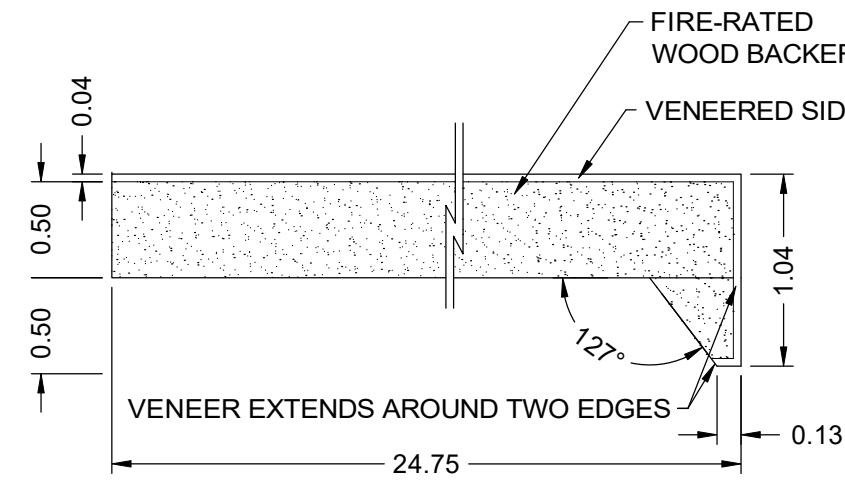
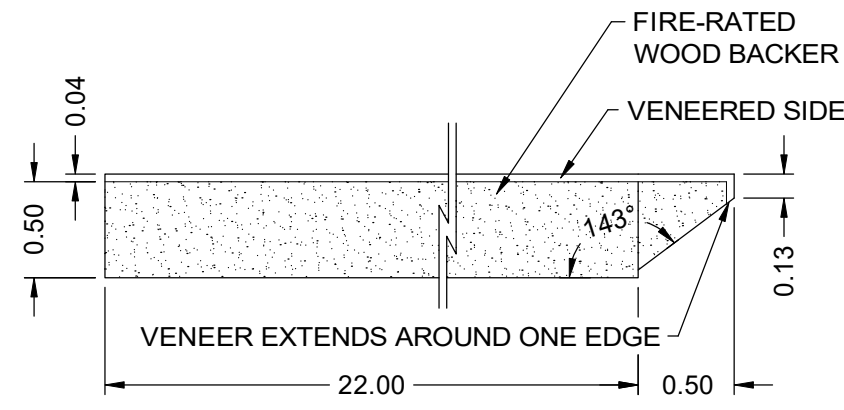
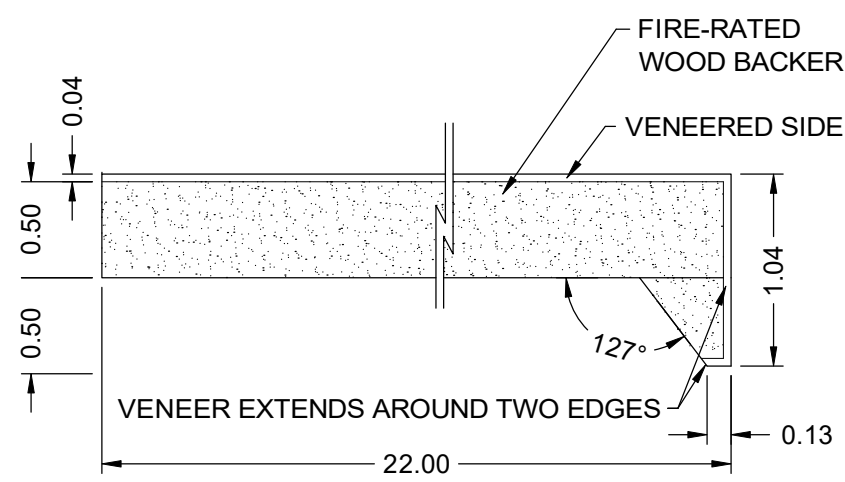
PANEL:

B5 COUNT: 5 THIS TYPE

MIRRORS

B6 COUNT: 5 THIS TYPE

BOOK MATCHED GRAIN BETWEEN PANELS A5 AND A6

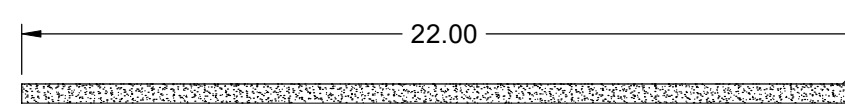


Details  
Scale: 1:1

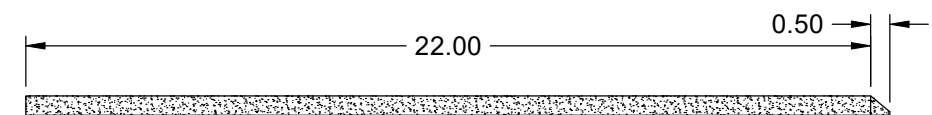
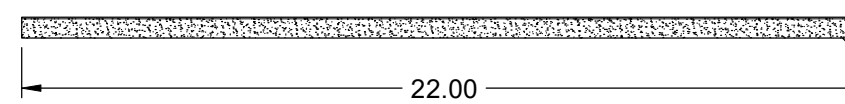
Details  
Scale: 1:1

Details  
Scale: 1:1

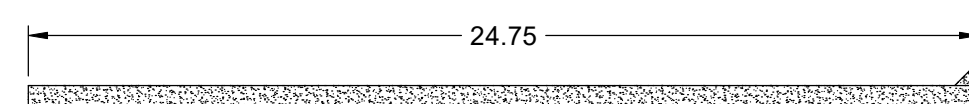
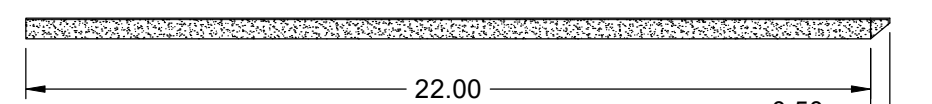
Details  
Scale: 1:1



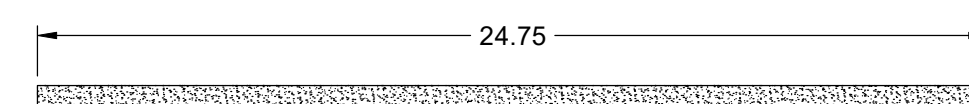
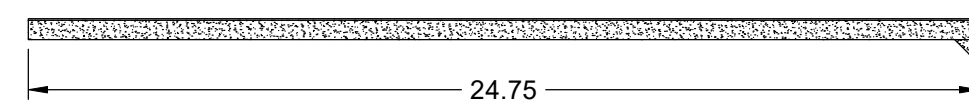
PANELS:  
B1 B2  
MIRROR  
B9 B10  
Wood Panels Plan View  
Scale: 1:5



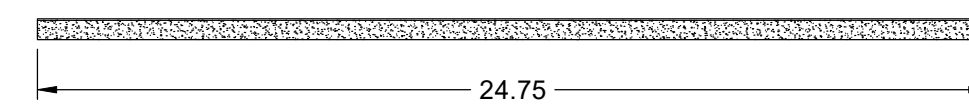
PANEL:  
B3  
MIRRORS  
B8  
Wood Panels Plan View  
Scale: 1:5



PANEL:  
B4  
MIRRORS  
B7  
Wood Panels Plan View  
Scale: 1:5



PANEL:  
B5  
MIRRORS  
B6  
Wood Panels Plan View  
Scale: 1:5



REVISIONS  
10 Aug 2021 Submitted  
5 Sep 2021

PROJECT TITLE  
Commonwealth Towers

PRINCIPAL  
Steve McDonald  
215-355-0501

PROJECT ADDRESS  
Commonwealth Towers  
1300 Wilson Blvd  
Arlington, VA 22209

CAB SOLUTIONS REF. DATE  
517 5 Sep 2021

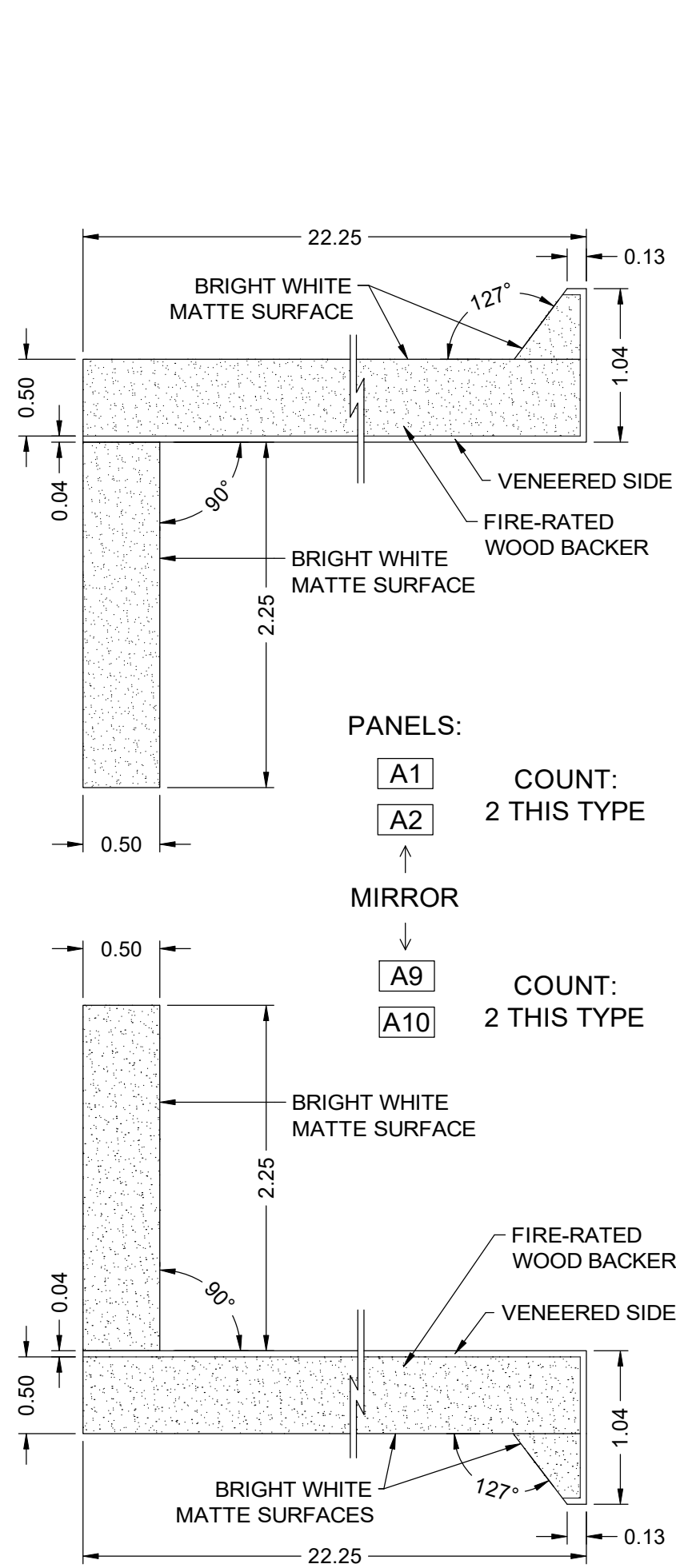
SHEET SCALE  
6 of 10 As Noted

DRAWING  
Cabs B, C, D, E, F  
B Veneered Wood Panels  
Fabricator Details

DRAWN  
ES  
CHECKED  
SM  
**A303**

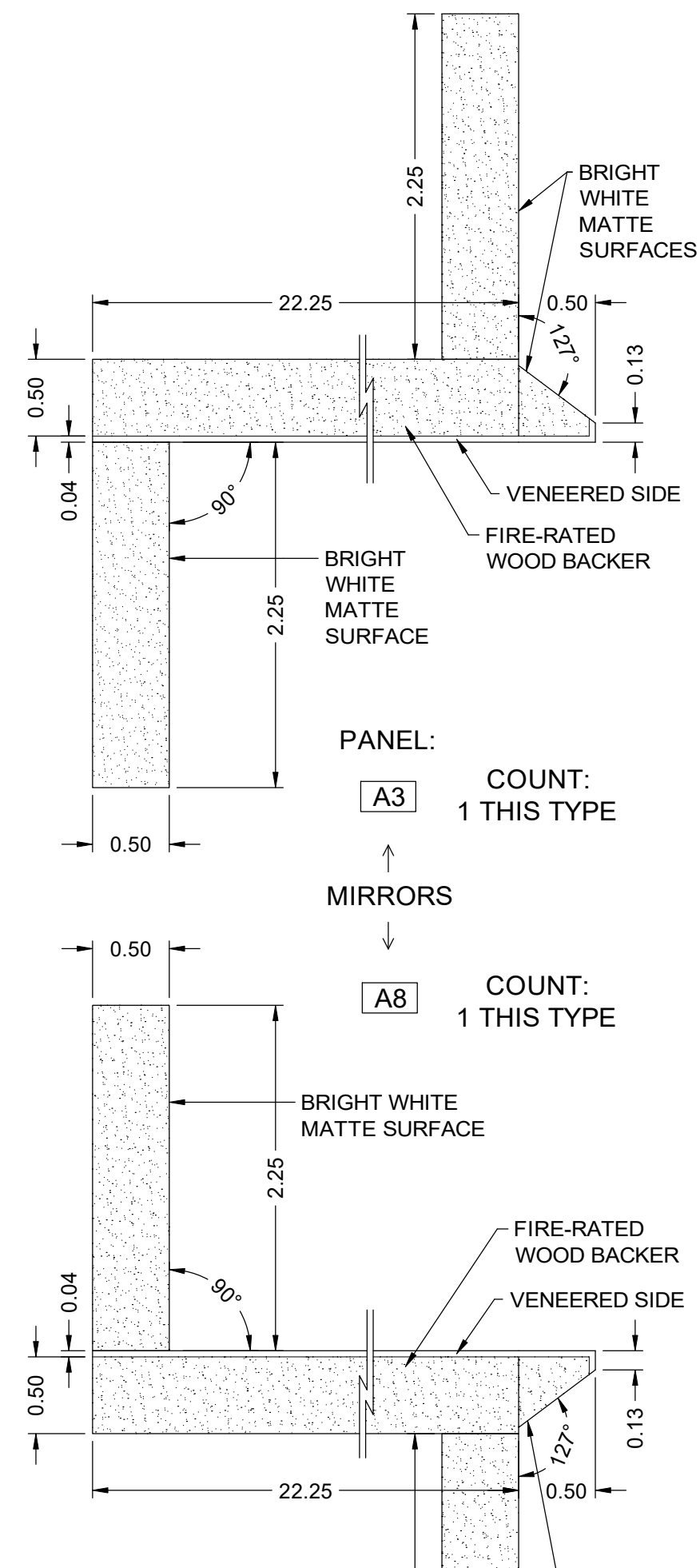
Cab Solutions  
1621 Loretta Ave.  
Feasterville, PA 19053  
tel.: 215-355-0501  
email: smcdonald@cabsolution.com  
website: https://cabsolution.com/

ELEVATOR INTERIOR REMODELING  
**CAB**  
CABSOLUTIONS



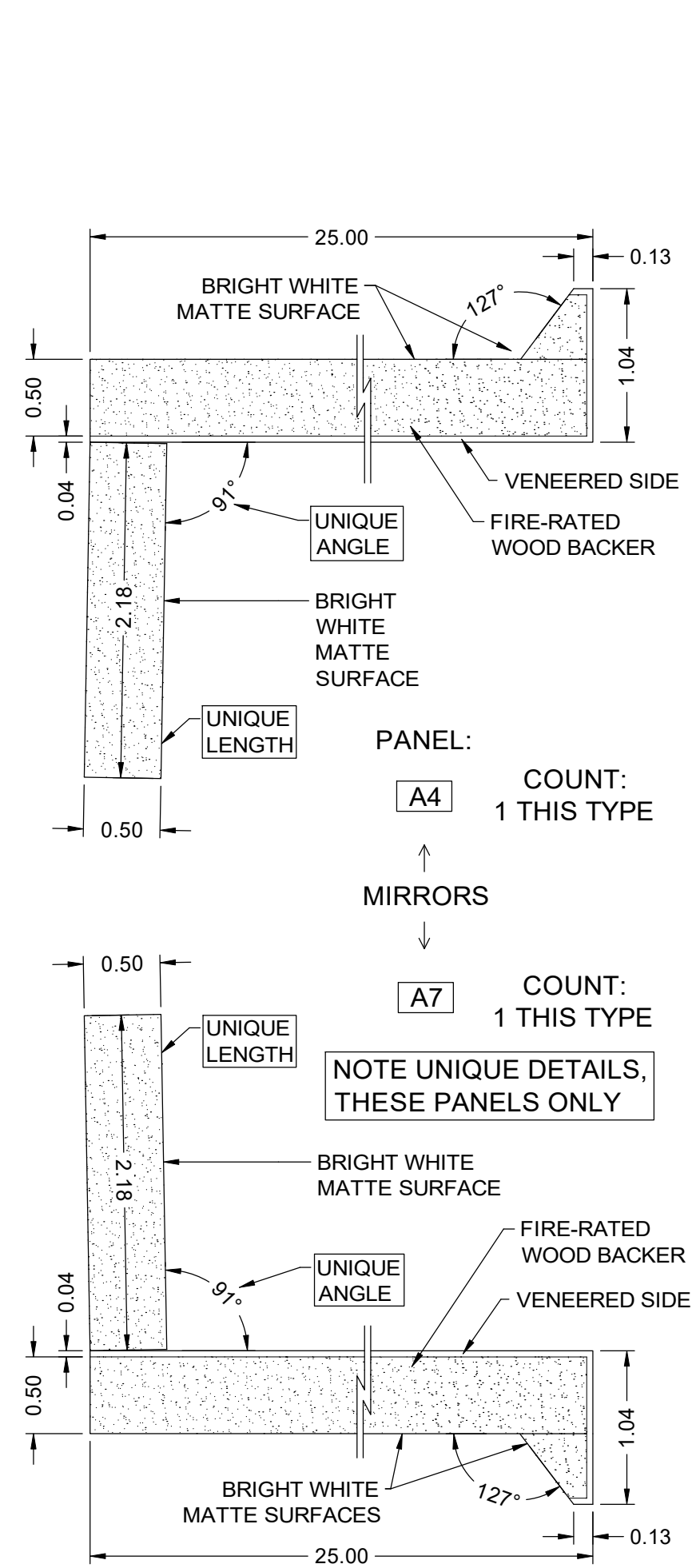
PANELS:  
**A1** COUNT: 2 THIS TYPE  
**A2**  
 MIRROR  
**A9** COUNT: 2 THIS TYPE  
**A10**

Details  
 Scale: 1:1



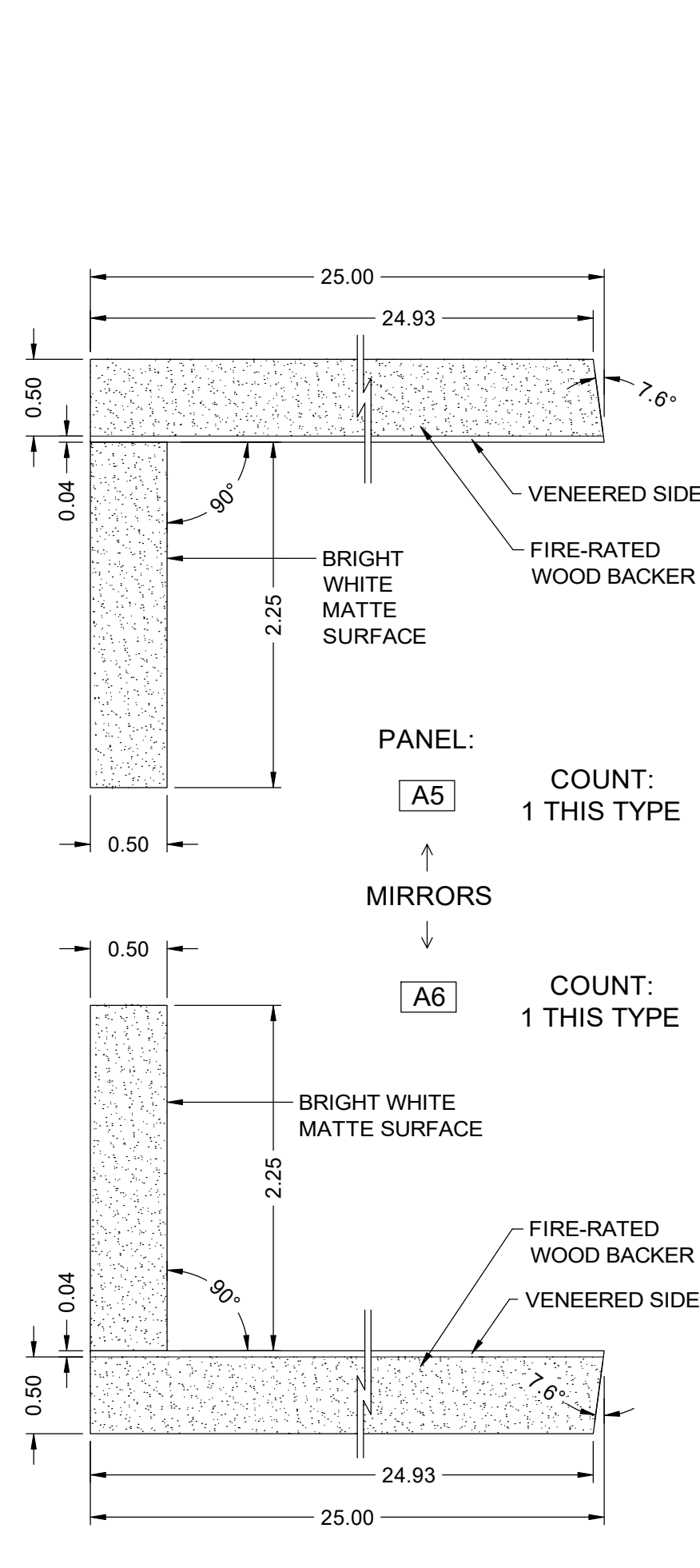
PANEL:  
**A3** COUNT: 1 THIS TYPE  
 MIRRORS  
**A8** COUNT: 1 THIS TYPE

Details  
 Scale: 1:1



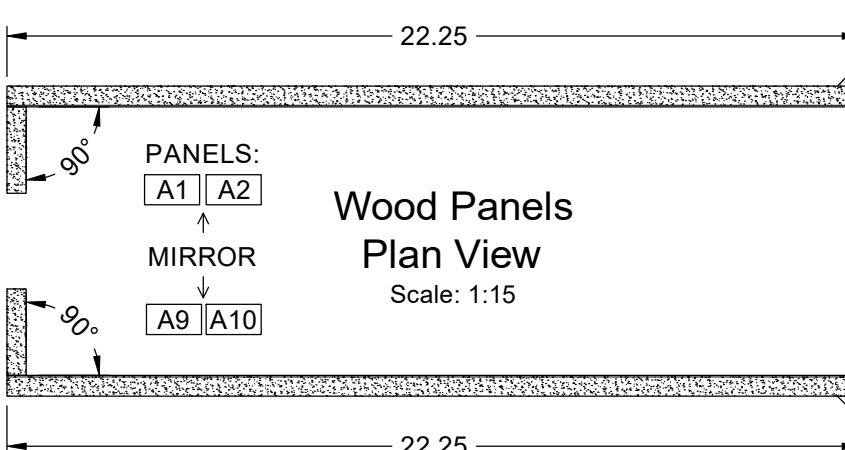
PANEL:  
**A4** COUNT: 1 THIS TYPE  
 MIRRORS  
**A7** COUNT: 1 THIS TYPE  
 NOTE UNIQUE DETAILS, THESE PANELS ONLY

Details  
 Scale: 1:1

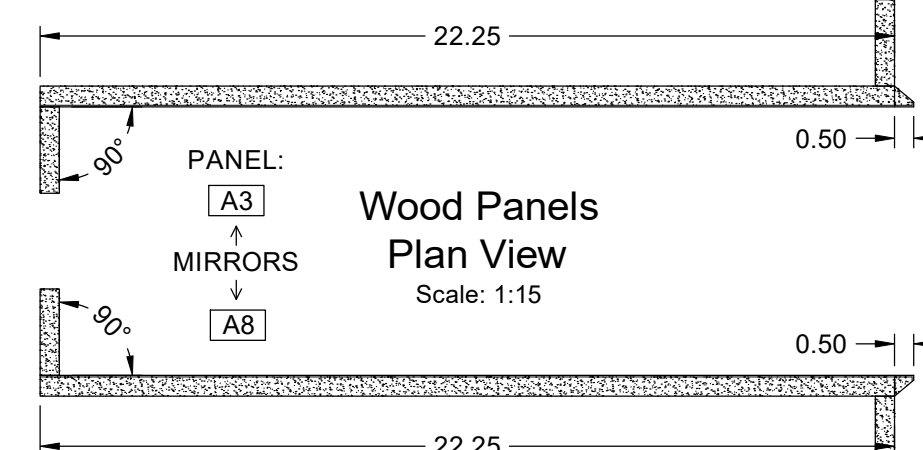


PANEL:  
**A5** COUNT: 1 THIS TYPE  
 MIRRORS  
**A6** COUNT: 1 THIS TYPE

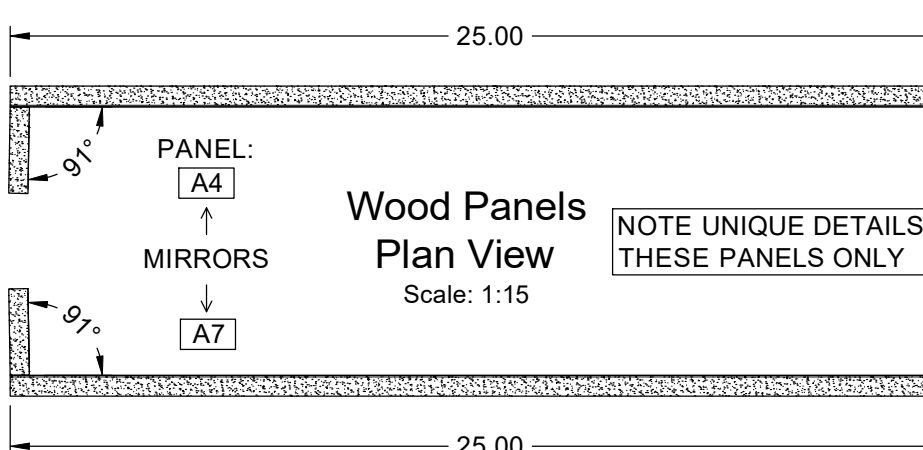
Details  
 Scale: 1:1



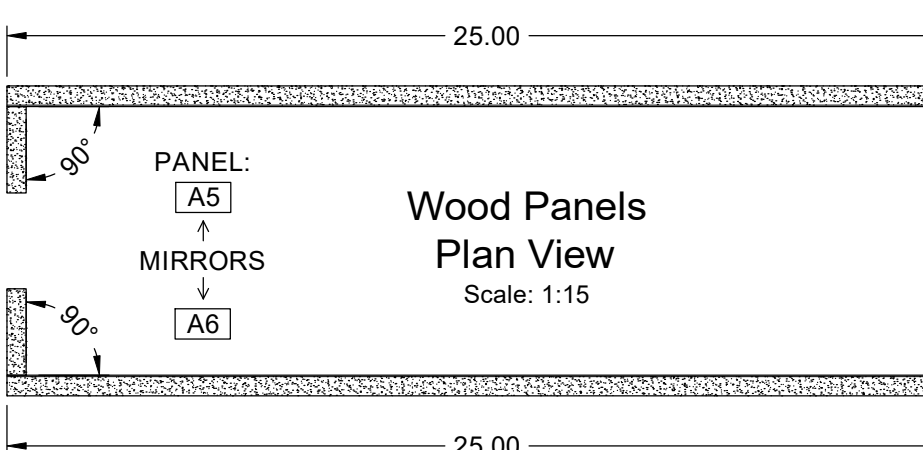
Wood Panels  
 Plan View  
 Scale: 1:15



Wood Panels  
 Plan View  
 Scale: 1:15



Wood Panels  
 Plan View  
 Scale: 1:15  
 NOTE UNIQUE DETAILS, THESE PANELS ONLY



Wood Panels  
 Plan View  
 Scale: 1:15

REVISIONS  
 10 Aug 2021 Submitted  
 5 Sep 2021

PROJECT TITLE  
 Commonwealth Towers

PRINCIPAL  
 Steve McDonald  
 215-355-0501

PROJECT ADDRESS  
 Commonwealth Towers  
 1300 Wilson Blvd  
 Arlington, VA 22209

CAB SOLUTIONS REF. DATE  
 517 5 Sep 2021

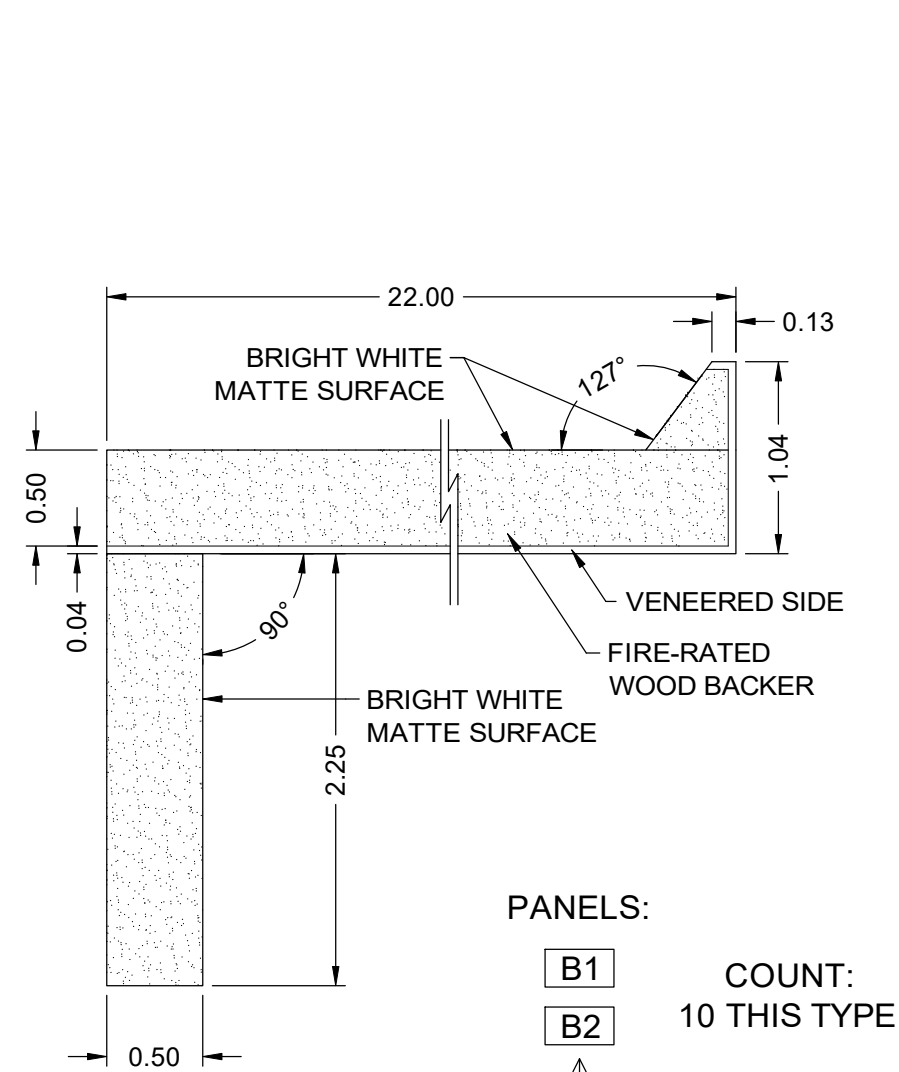
SHEET SCALE  
 7 of 10 As Noted

DRAWING  
 Cab A  
 A Wood Panels  
 CabSol Assembly Details

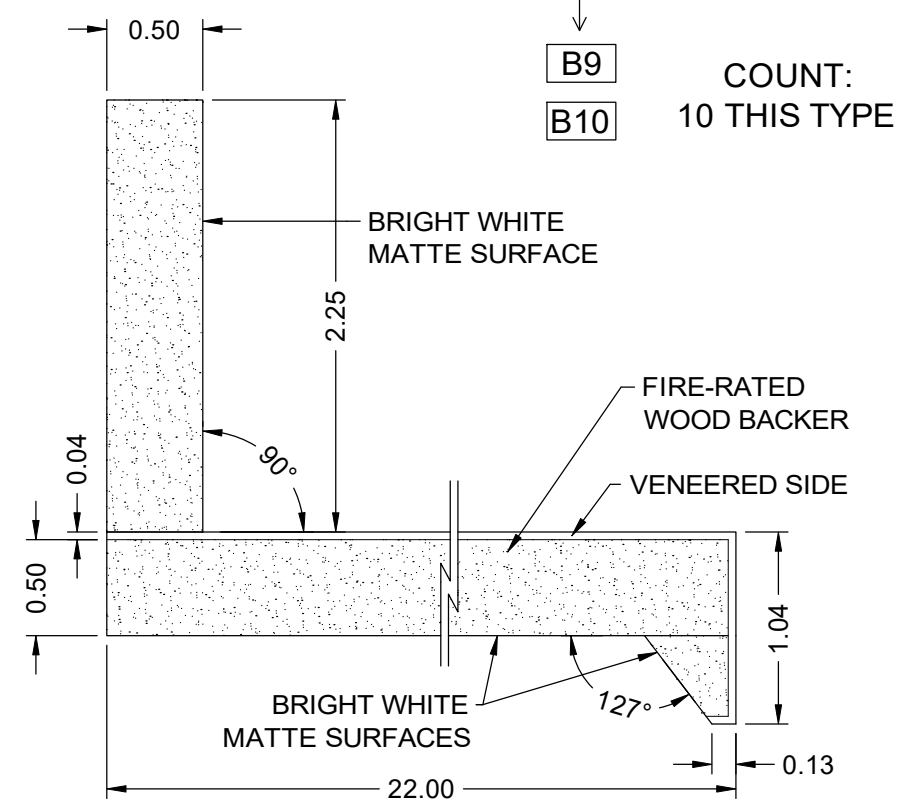
DRAWN CHECKED  
 ES SM  
**A304**

Cab Solutions  
 1621 Loretta Ave.  
 Feasterville, PA 19053  
 tel.: 215-355-0501  
 email: smcdonald@cabsolution.com  
 website: https://cabsolution.com/

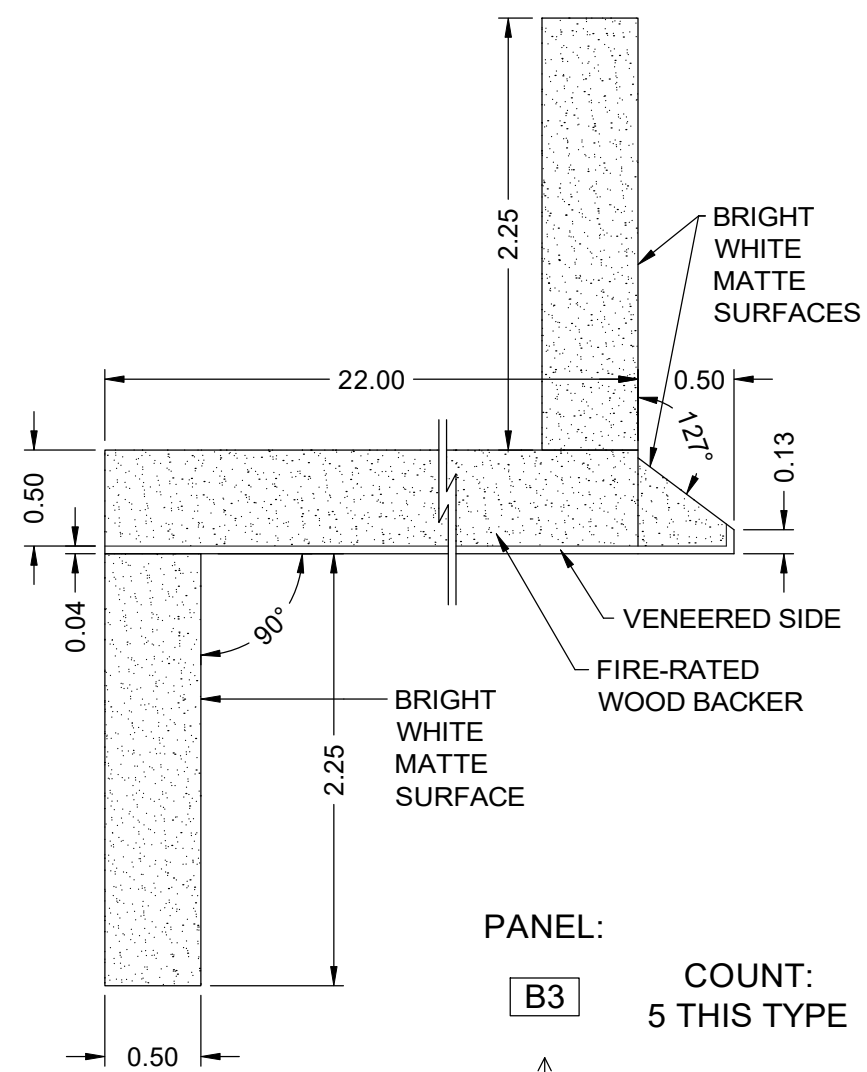




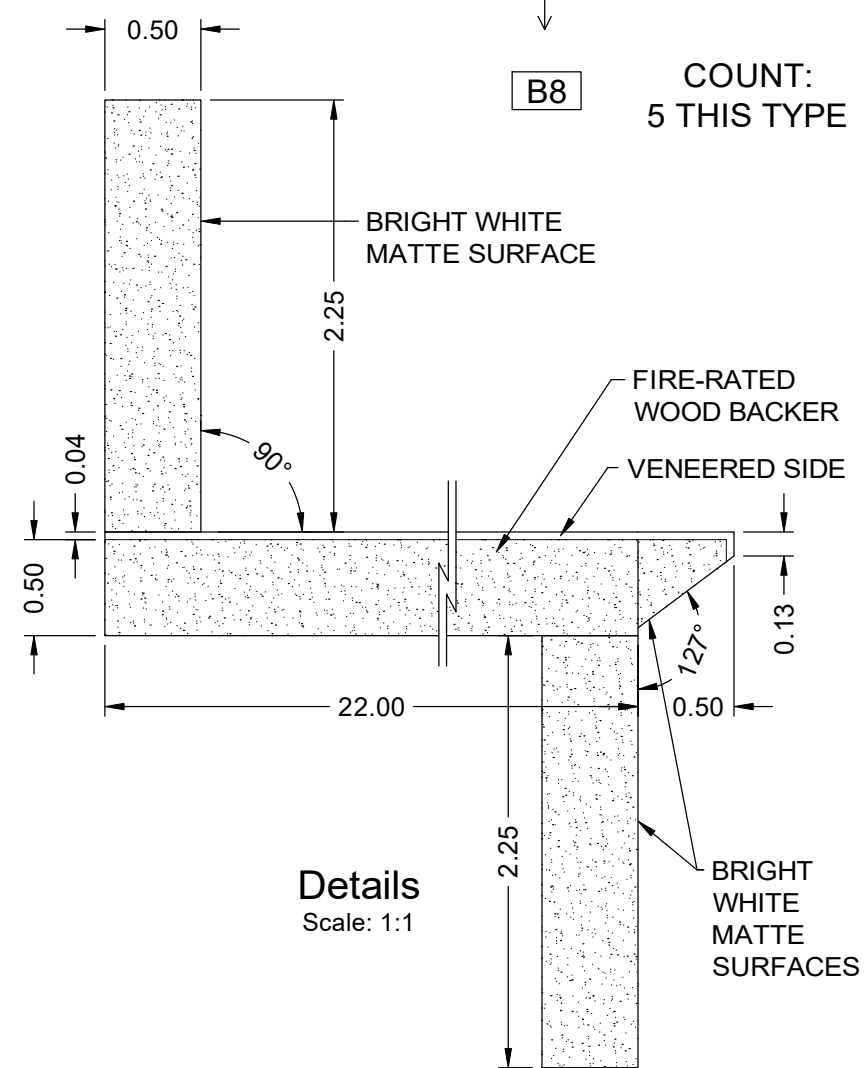
PANELS:  
**B1** COUNT: 10 THIS TYPE  
**B2**  
 MIRROR  
**B9** COUNT: 10 THIS TYPE  
**B10**



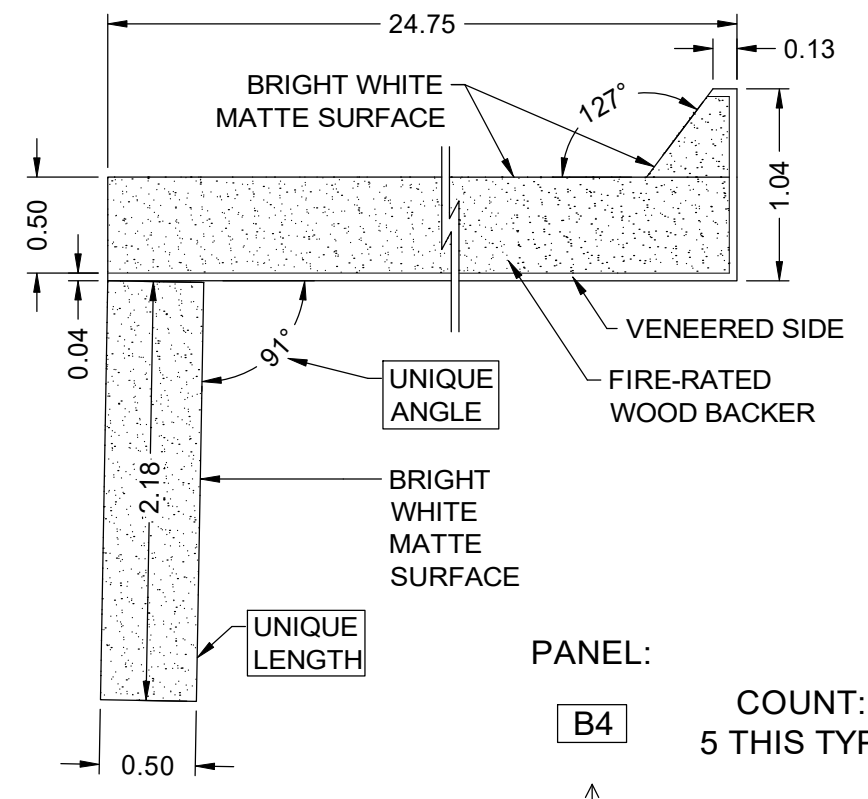
Details  
Scale: 1:1



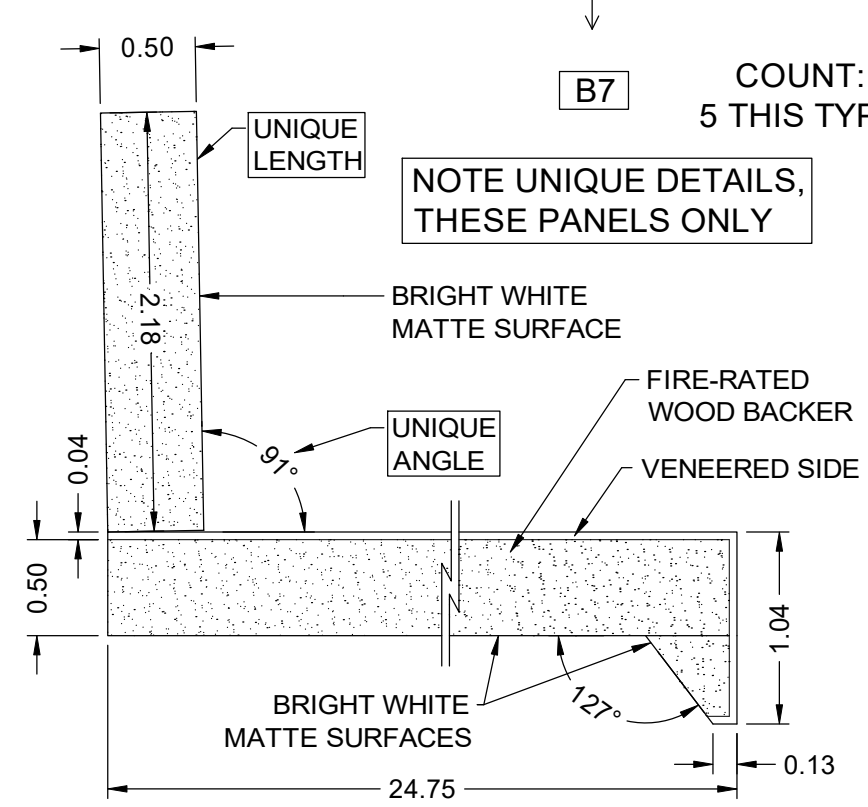
PANEL:  
**B3** COUNT: 5 THIS TYPE  
 MIRRORS  
**B8** COUNT: 5 THIS TYPE



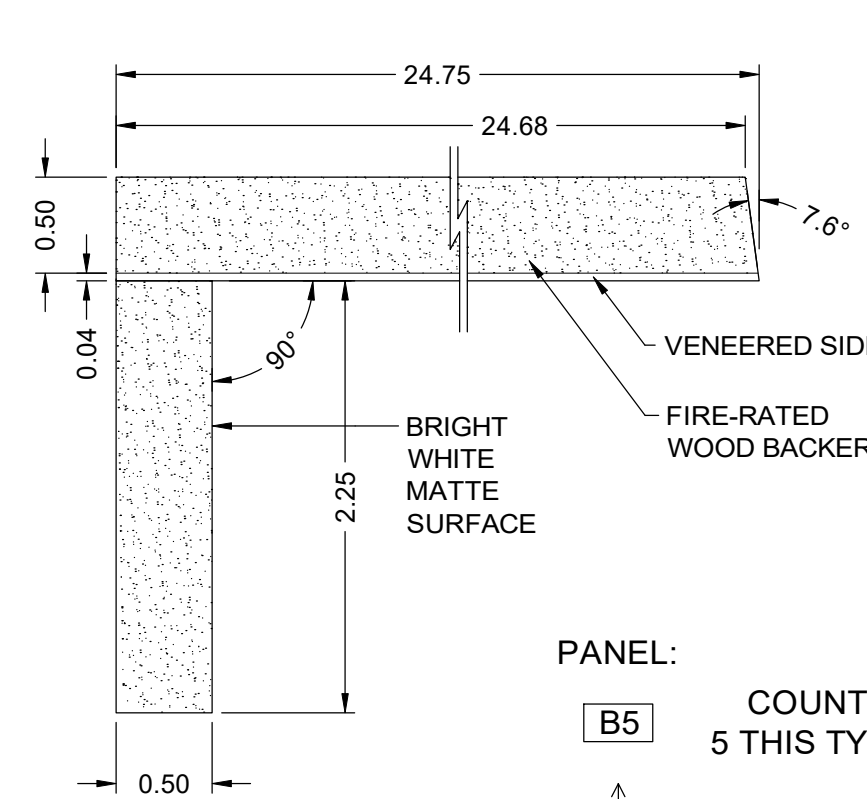
Details  
Scale: 1:1



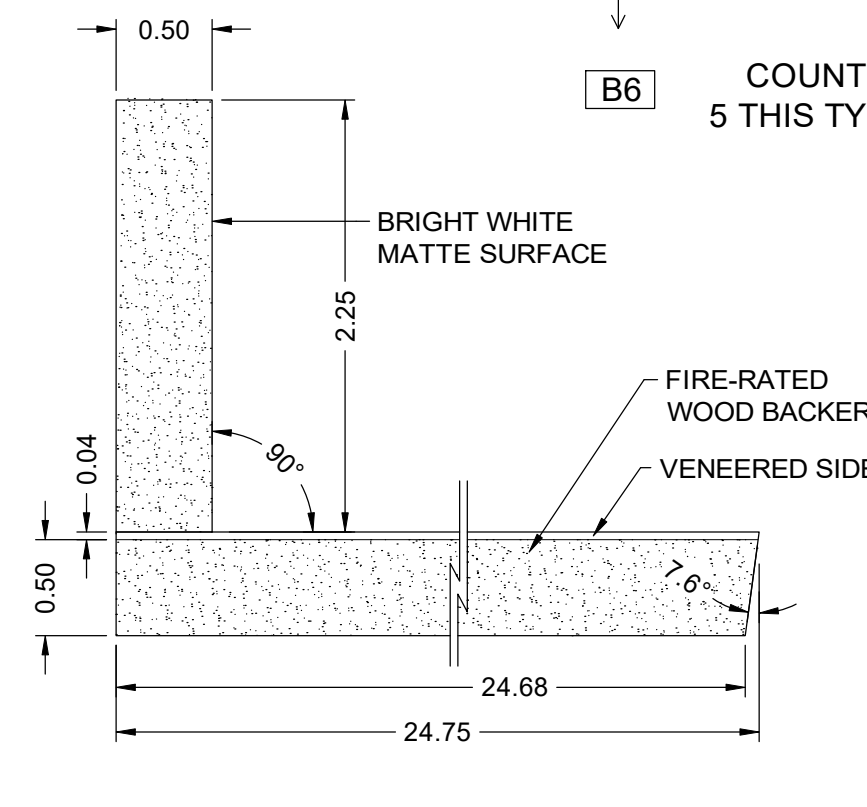
PANEL:  
**B4** COUNT: 5 THIS TYPE  
 MIRRORS  
**B7** COUNT: 5 THIS TYPE



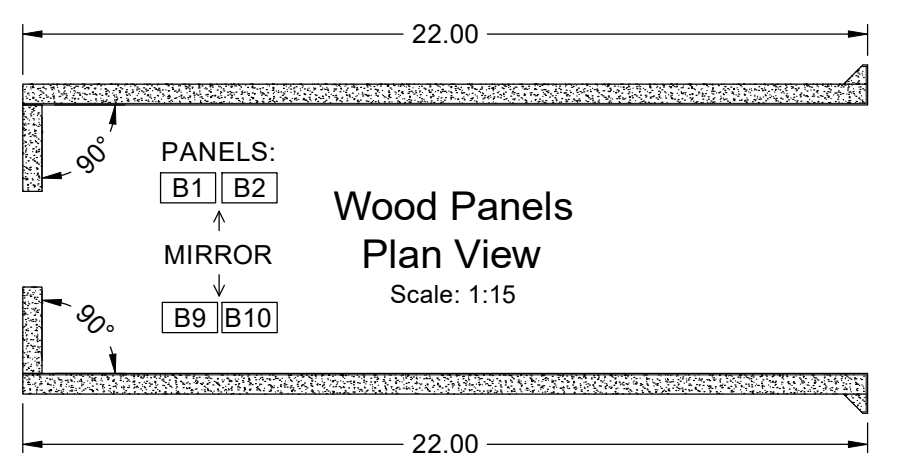
Details  
Scale: 1:1



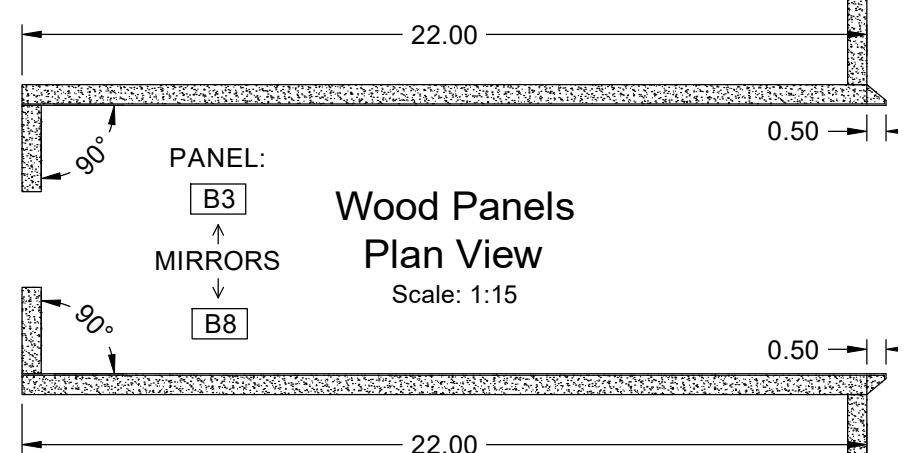
PANEL:  
**B5** COUNT: 5 THIS TYPE  
 MIRRORS  
**B6** COUNT: 5 THIS TYPE



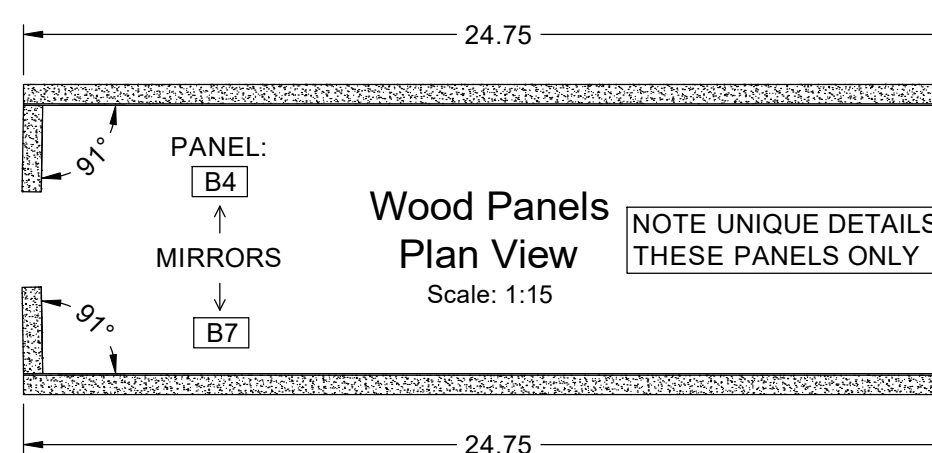
Details  
Scale: 1:1



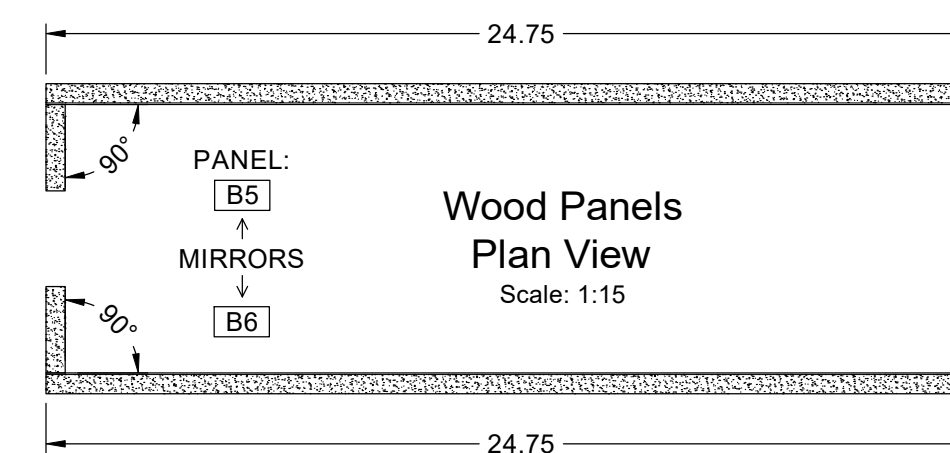
Wood Panels  
Plan View  
Scale: 1:15



Wood Panels  
Plan View  
Scale: 1:15



Wood Panels  
Plan View  
Scale: 1:15



Wood Panels  
Plan View  
Scale: 1:15

REVISIONS  
 10 Aug 2021 Submitted  
 5 Sep 2021

PROJECT TITLE  
 Commonwealth Towers

PRINCIPAL  
 Steve McDonald  
 215-355-0501

PROJECT ADDRESS  
 Commonwealth Towers  
 1300 Wilson Blvd  
 Arlington, VA 22209

CAB SOLUTIONS REF. DATE  
 517 5 Sep 2021

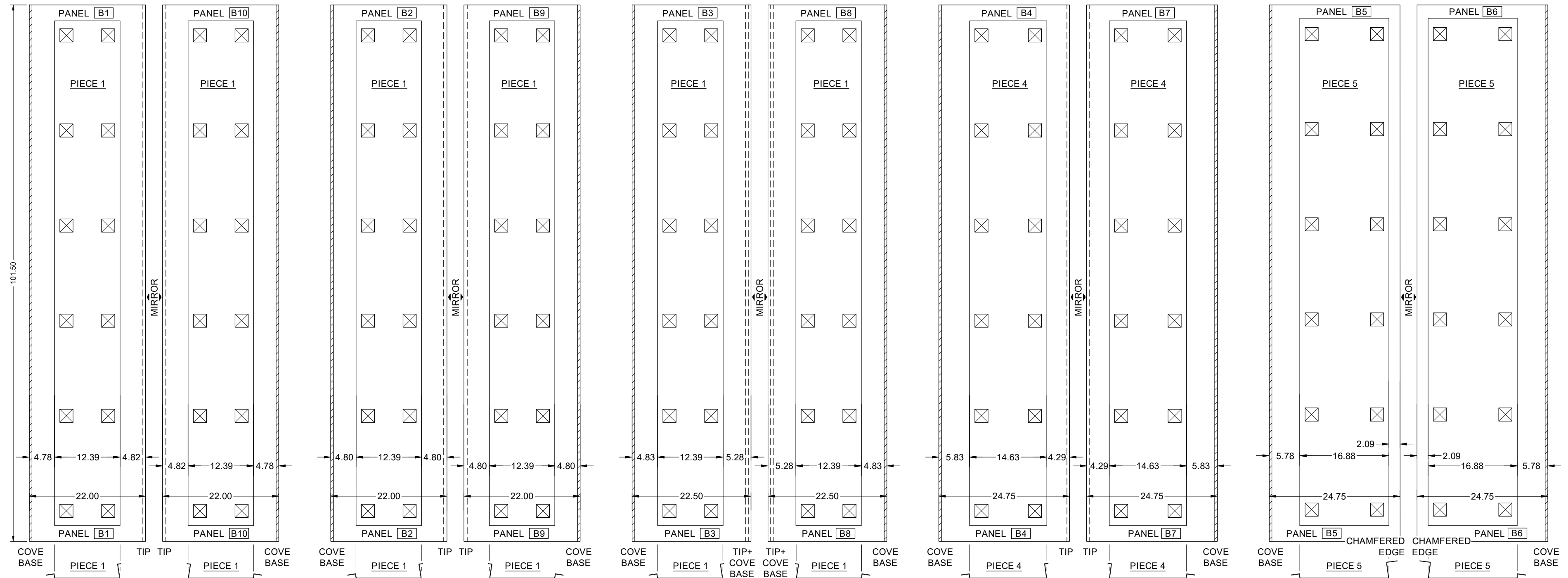
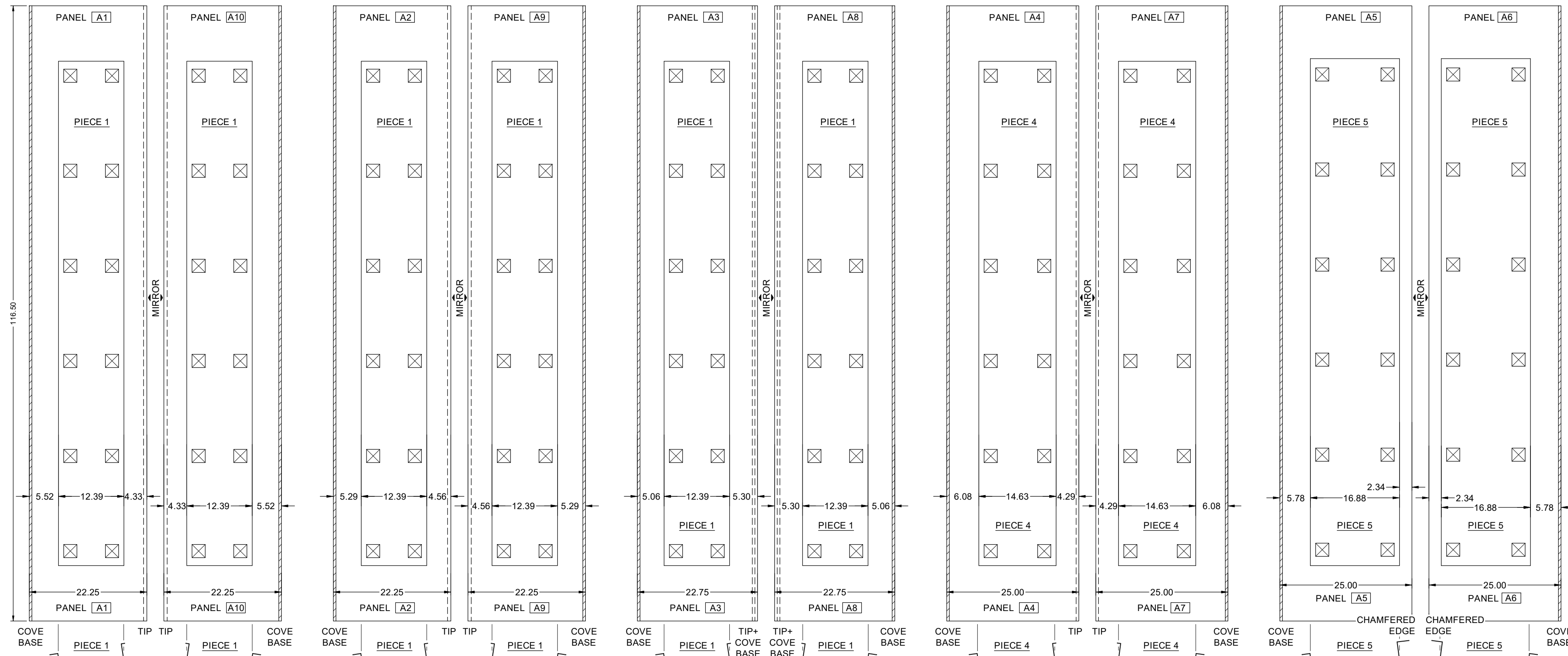
SHEET SCALE  
 8 of 10 As Noted

DRAWING  
 Cabs B, C, D, E, F  
 Wood Panels  
 CabSol Assembly Details

DRAWN  
 ES  
 CHECKED  
 SM  
**A305**

Cab Solutions  
 1621 Loretta Ave.  
 Feasterville, PA 19053  
 tel.: 215-355-0501  
 email: smcdonald@cabsolution.com  
 website: https://cabsolution.com/

ELEVATOR INTERIOR REMODELING  
**CAB**  
 CABSOLUTIONS



Panels **A1**-**A10**  
 10 Veneered Wood Panels  
 116.50 inches tall  
 fitted to  
 Aluminum backer pieces

Panels **B1**-**B10**  
 50 Veneered Wood Panels  
 101.50 inches tall  
 fitted to  
 Aluminum backer pieces

REVISIONS  
 10 Aug 2021 Submitted  
 5 Sep 2021

PROJECT TITLE  
**Commonwealth Towers**

PRINCIPAL  
**Steve McDonald**  
 215-355-0501

PROJECT ADDRESS  
**Commonwealth Towers**  
 1300 Wilson Blvd  
 Arlington, VA 22209

CAB SOLUTIONS REF. DATE  
**517** **5 Sep 2021**

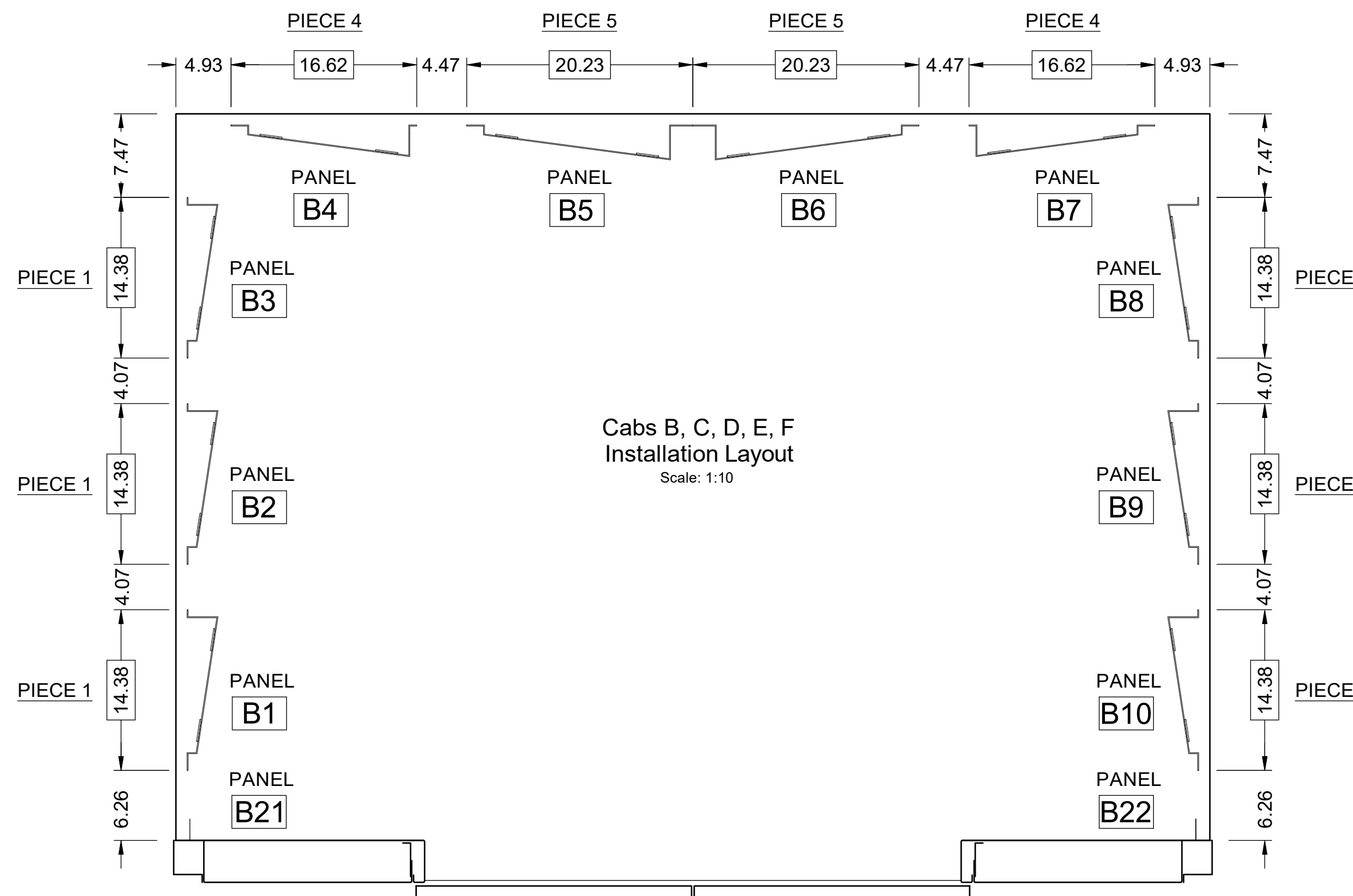
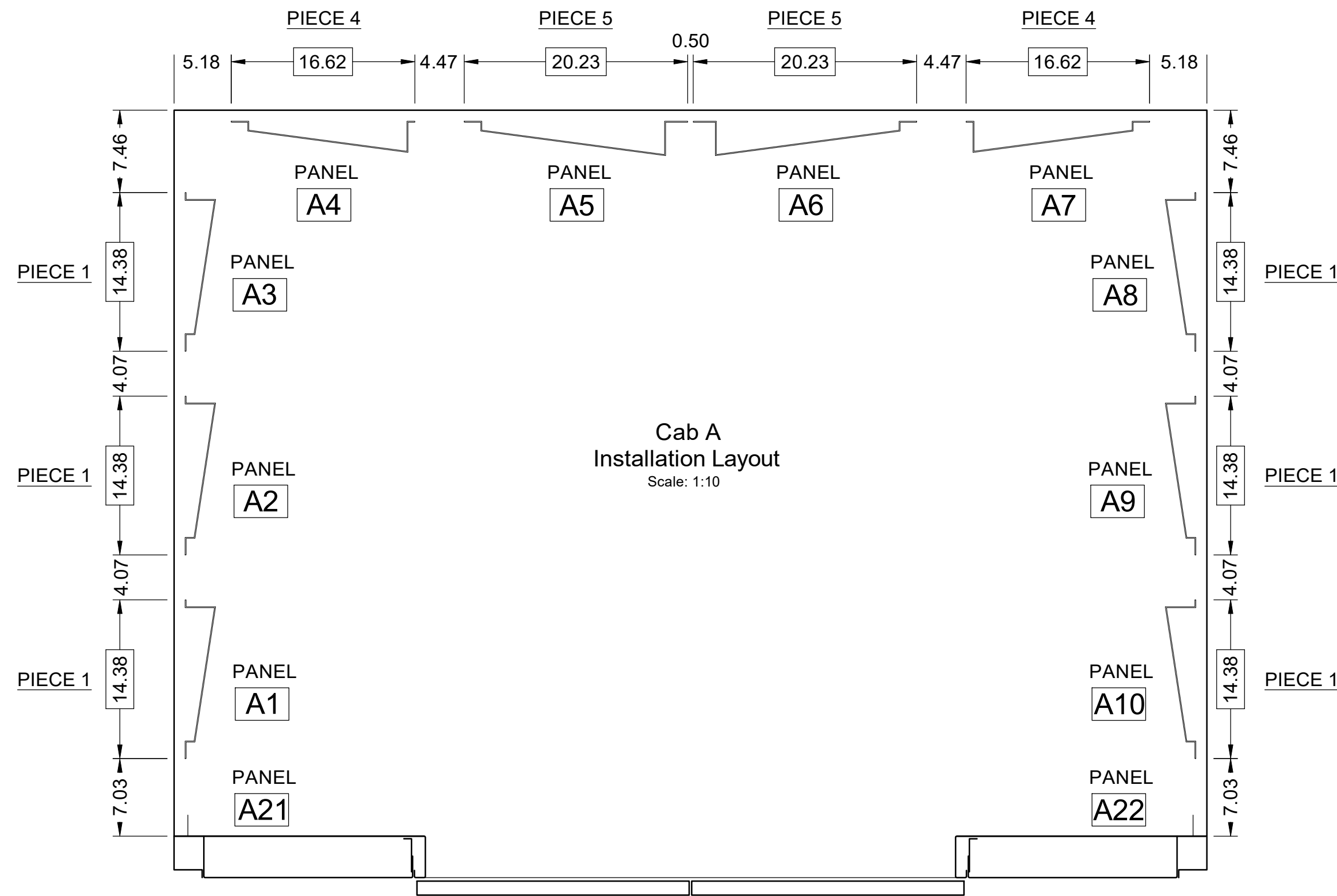
SHEET SCALE  
**9 of 10** **1:15**

DRAWING  
**Cabs A, B, C, D, E, F**  
**CabSol**  
**Dryfit Metal + Wood**

DRAWN CHECKED  
**ES SM** **A401**

Cab Solutions  
 1621 Loretta Ave.  
 Feasterville, PA 19053  
 tel.: 215-355-0501  
 email: smcdonald@cabsolution.com  
 website: https://cabsolution.com/





REVISIONS  
10 Aug 2021 Submitted  
5 Sep 2021

PROJECT TITLE  
Commonwealth Towers

PRINCIPAL  
Steve McDonald  
215-355-0501

PROJECT ADDRESS  
Commonwealth Towers  
1300 Wilson Blvd  
Arlington, VA 22209

CAB SOLUTIONS REF.	DATE
517	5 Sep 2021

SHEET	SCALE
10 of 10	1:10

DRAWING  
Cabs A, B, C, D, E, F  
CabSol Installation Layout

DRAWN	<b>A402</b>
ES	
CHECKED	
SM	

Cab Solutions  
1621 Loretta Ave.  
Feasterville, PA 19053  
tel.: 215-355-0501  
email: smcdonald@cabsolution.com  
website: https://cabsolution.com/

