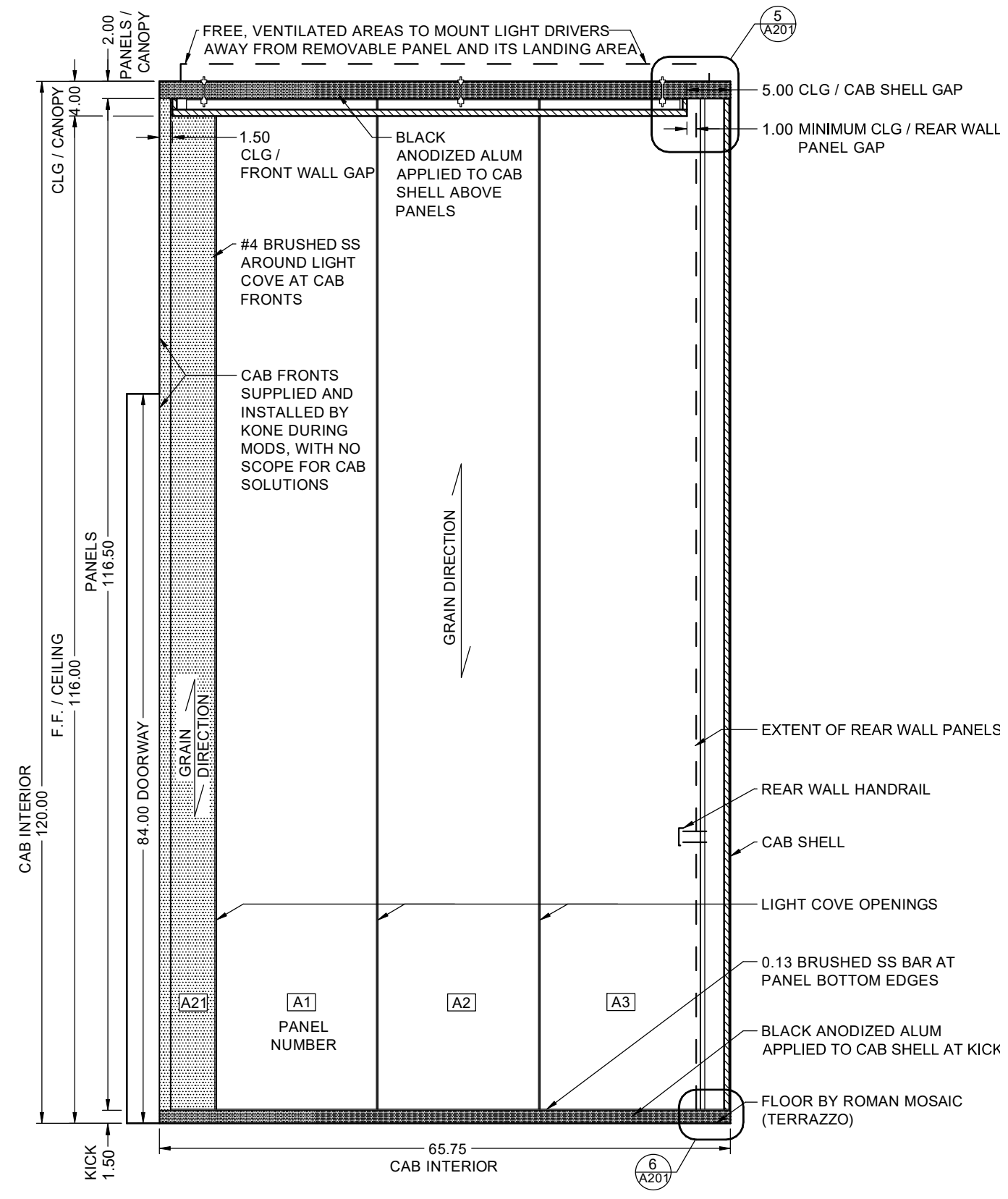


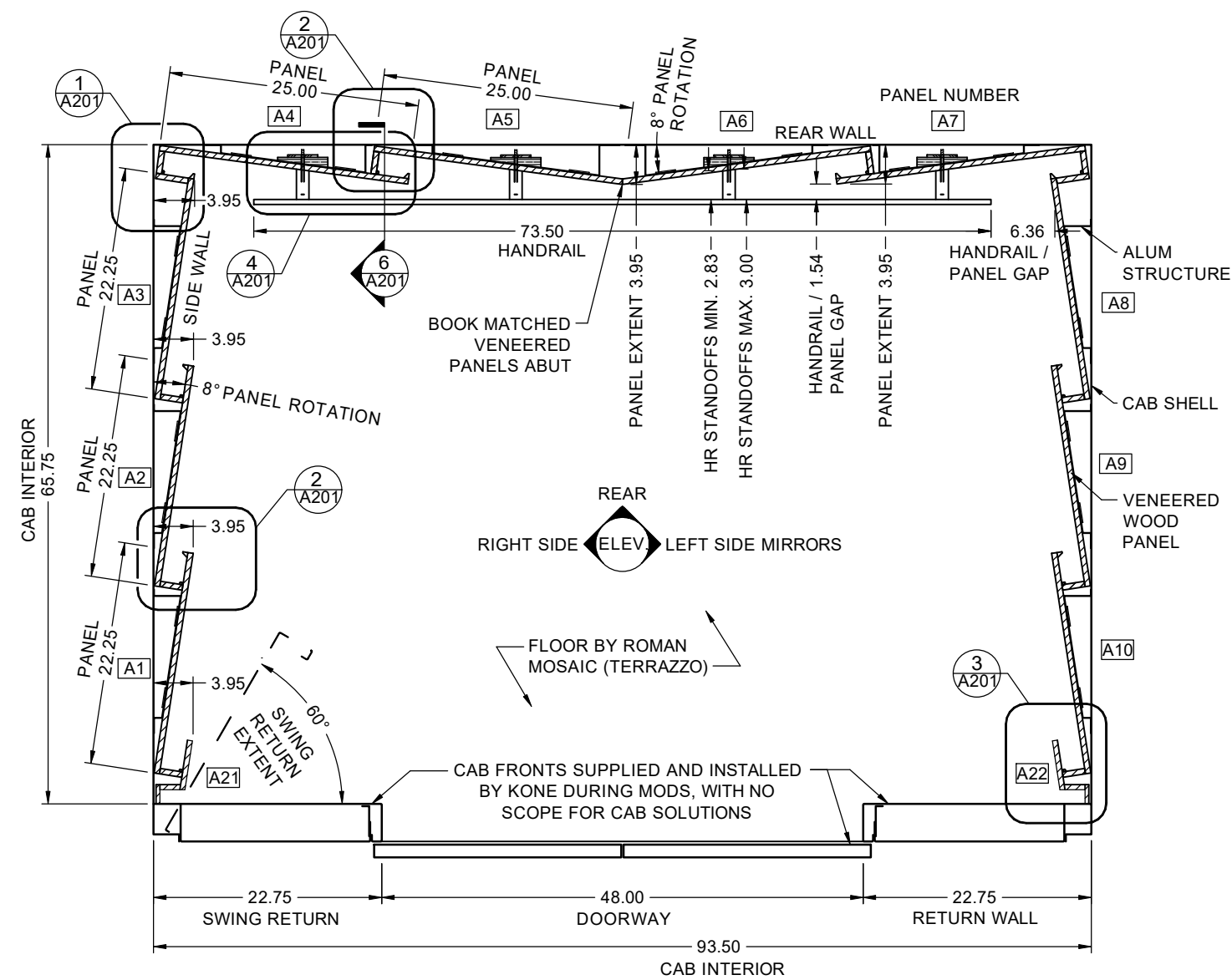
Rear Wall Elevation

Scale: 1" = 3/4"



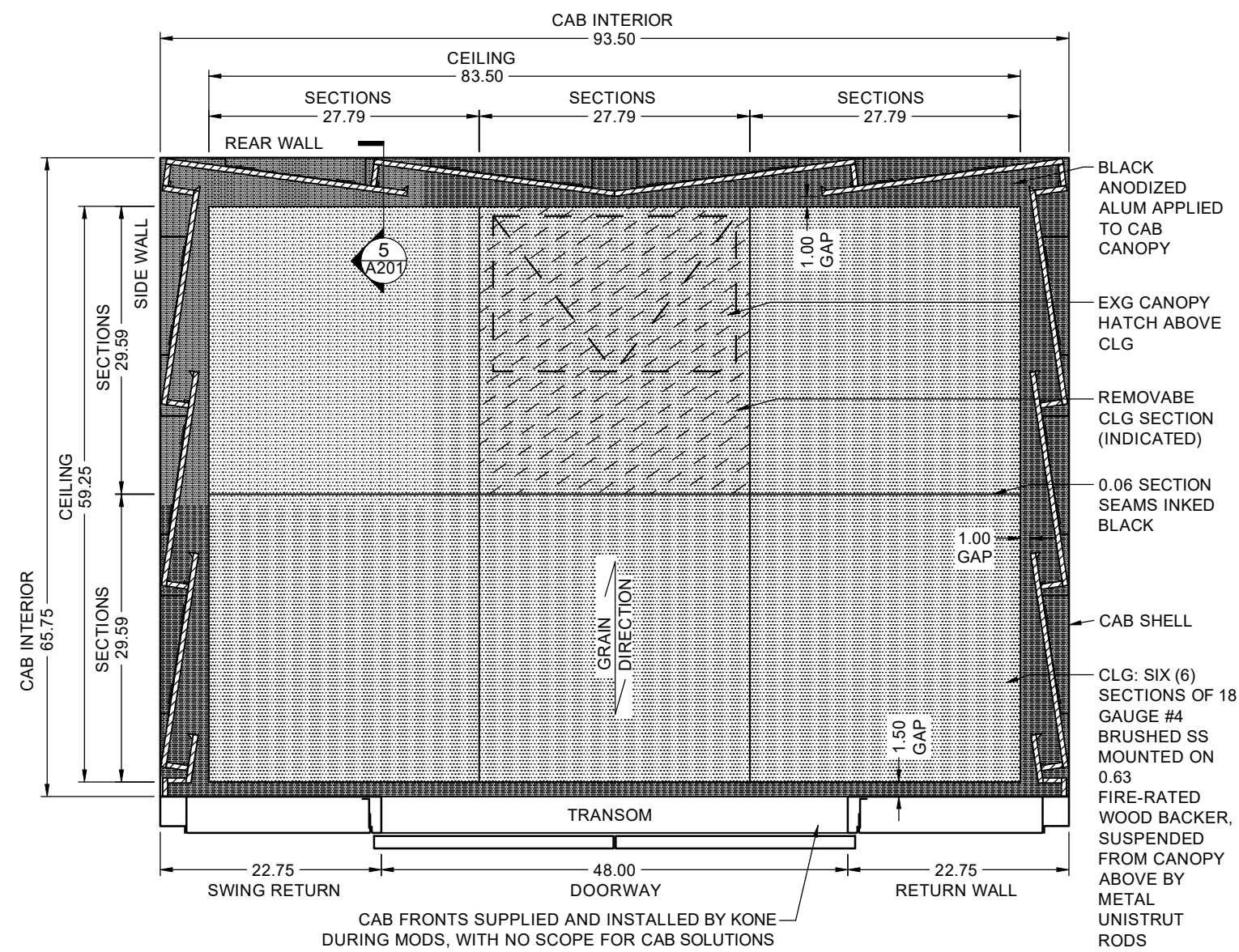
Right Side Wall Elevation

Scale: 1" = 3/4"



Plan

Scale: 1" = 3/4"



Reflected Ceiling Plan

Scale: 1" = 3/4"

REVISIONS

| | |
|--|--|
| | |
|--|--|

PROJECT TITLE

[Redacted]

PRINCIPAL

[Redacted]

PROJECT ADDRESS

[Redacted]

DATE

[Redacted]

SHEET

1 of 10

SCALE

1" = 3/4"

DRAWING

Cab A
Plans, Elevations

DRAWN

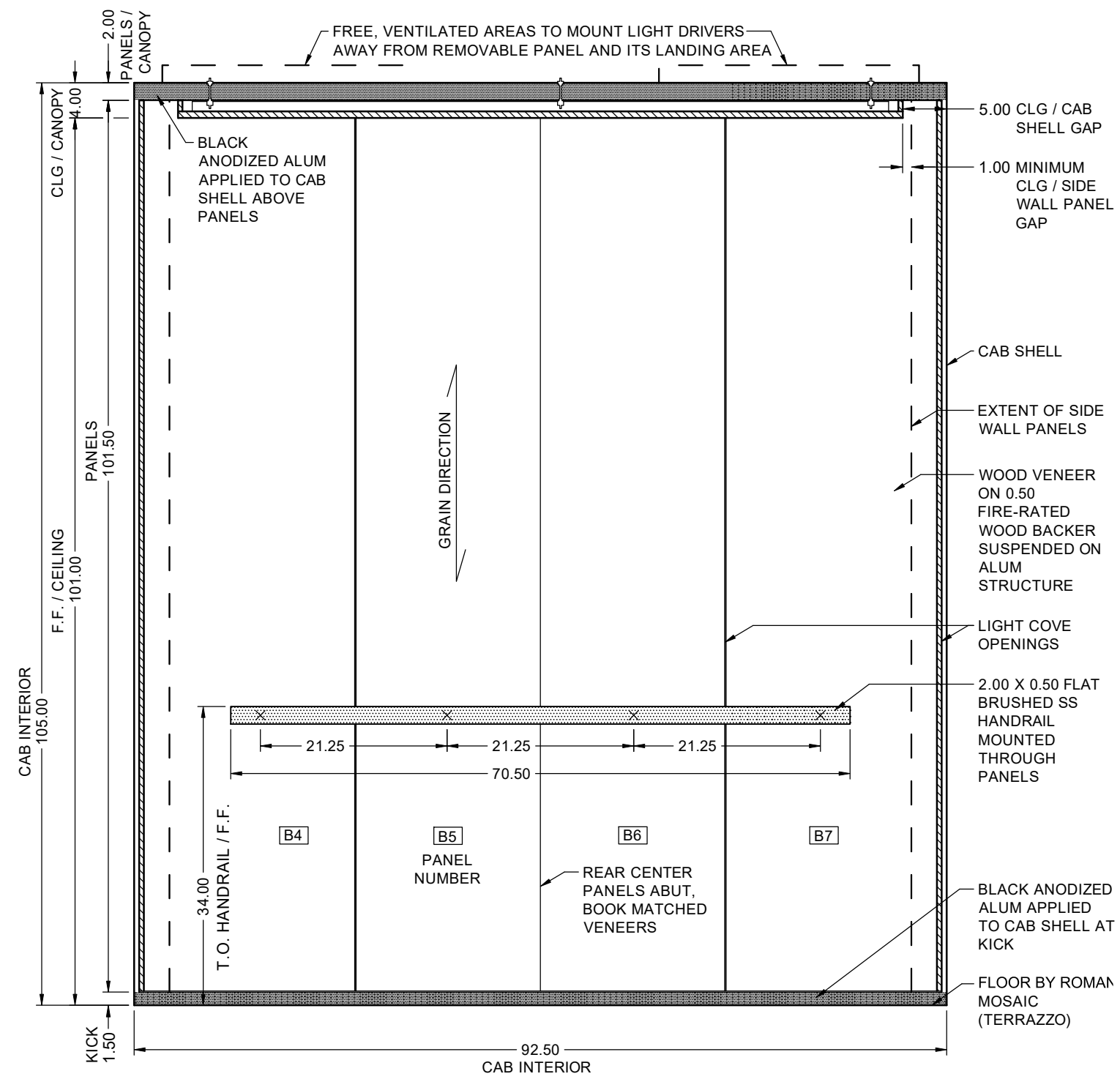
ES

CHECKED

SM

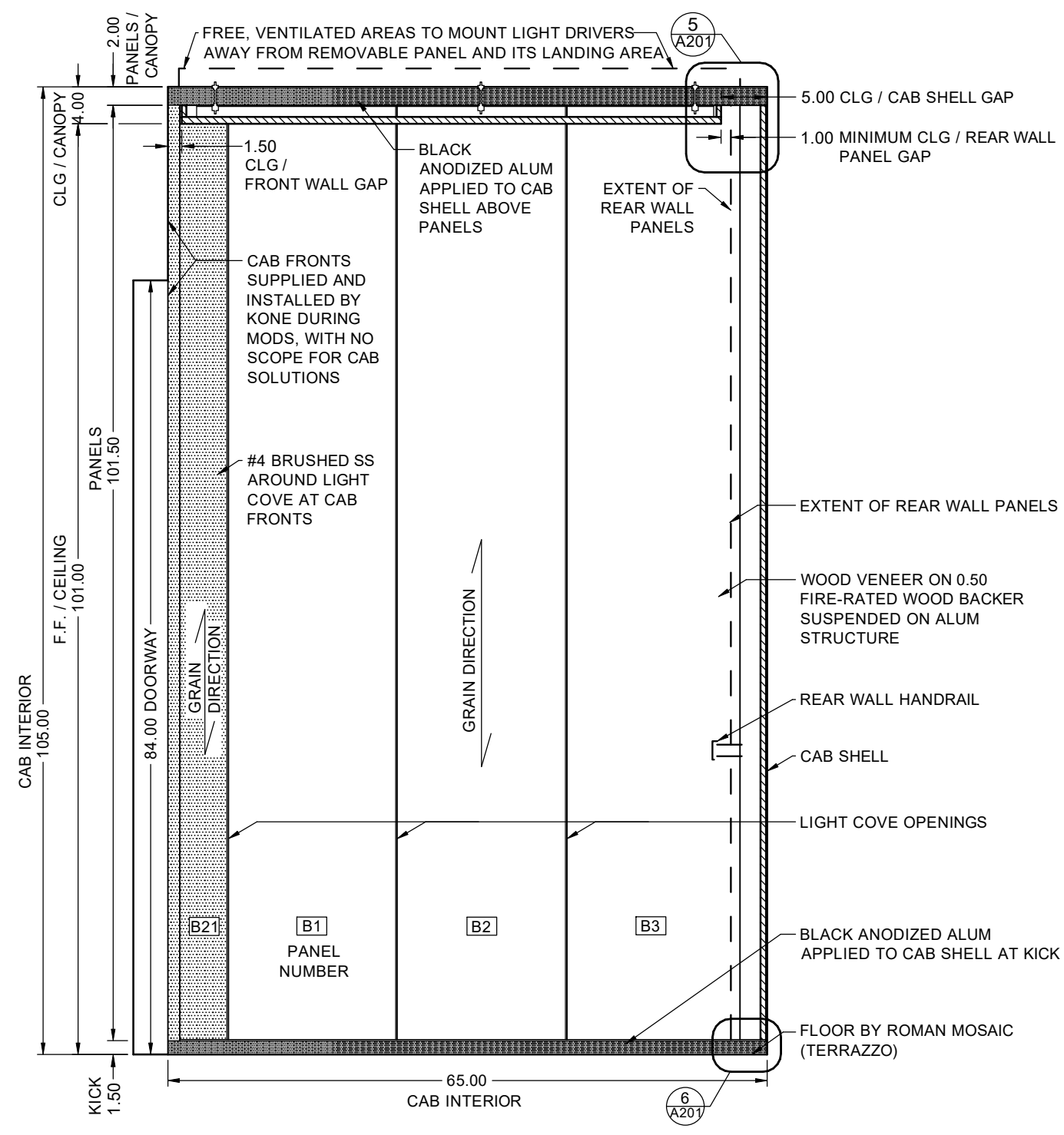
A101

[Redacted]



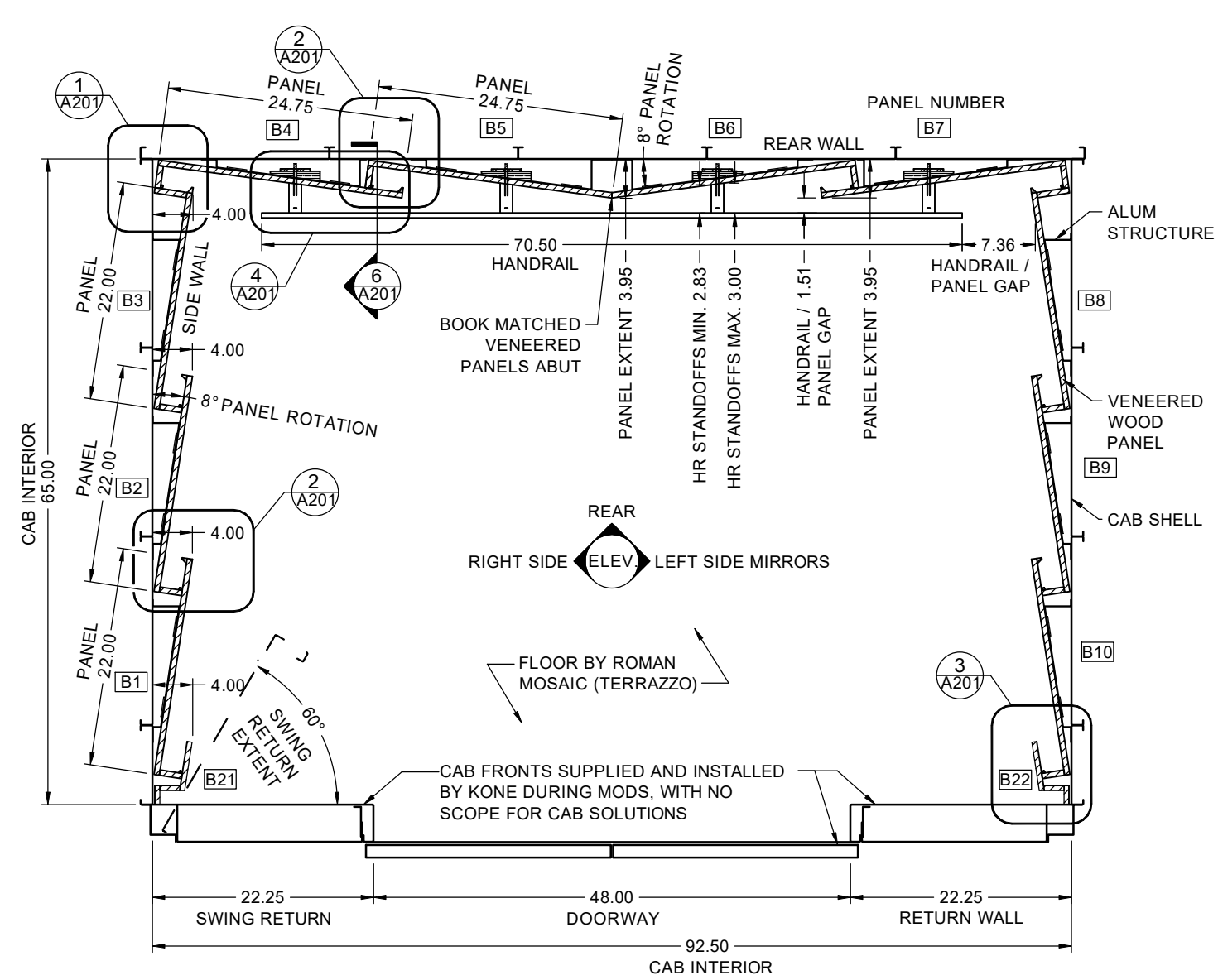
Rear Wall Elevation

Scale: 1" = 3/4"



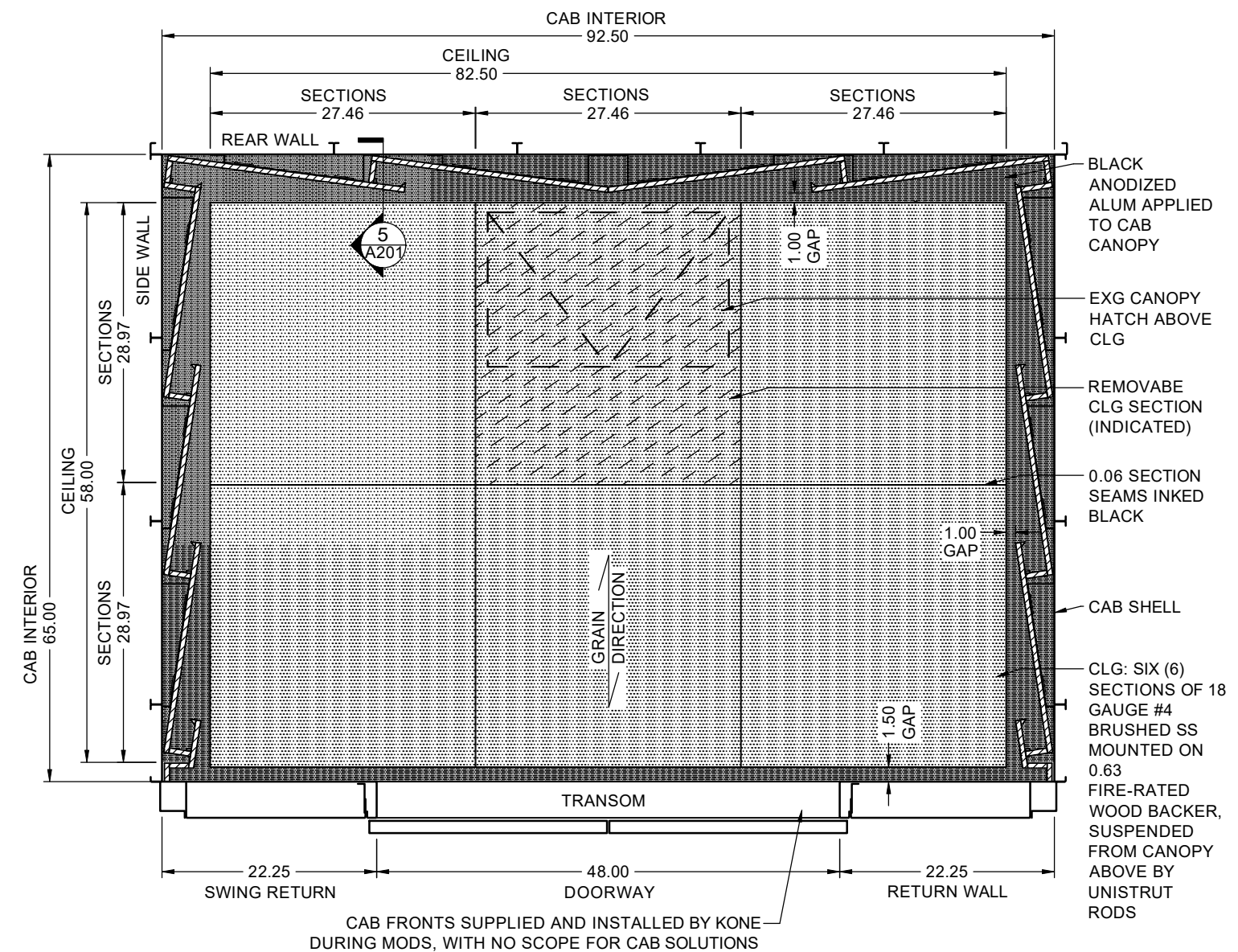
Right Side Wall Elevation

Scale: 1" = 3/4"



Plan

Scale: 1" = 3/4"



Reflected Ceiling Plan

Scale: 1" = 3/4"

REVISIONS



PROJECT TITLE



PRINCIPAL



PROJECT ADDRESS



DATE

SHEET 2 of 10 SCALE 1" = 3/4"

DRAWING

Cabs B, C, D, E, F Plans, Elevations

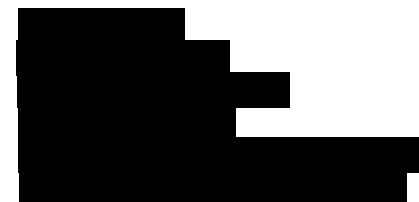
DRAWN

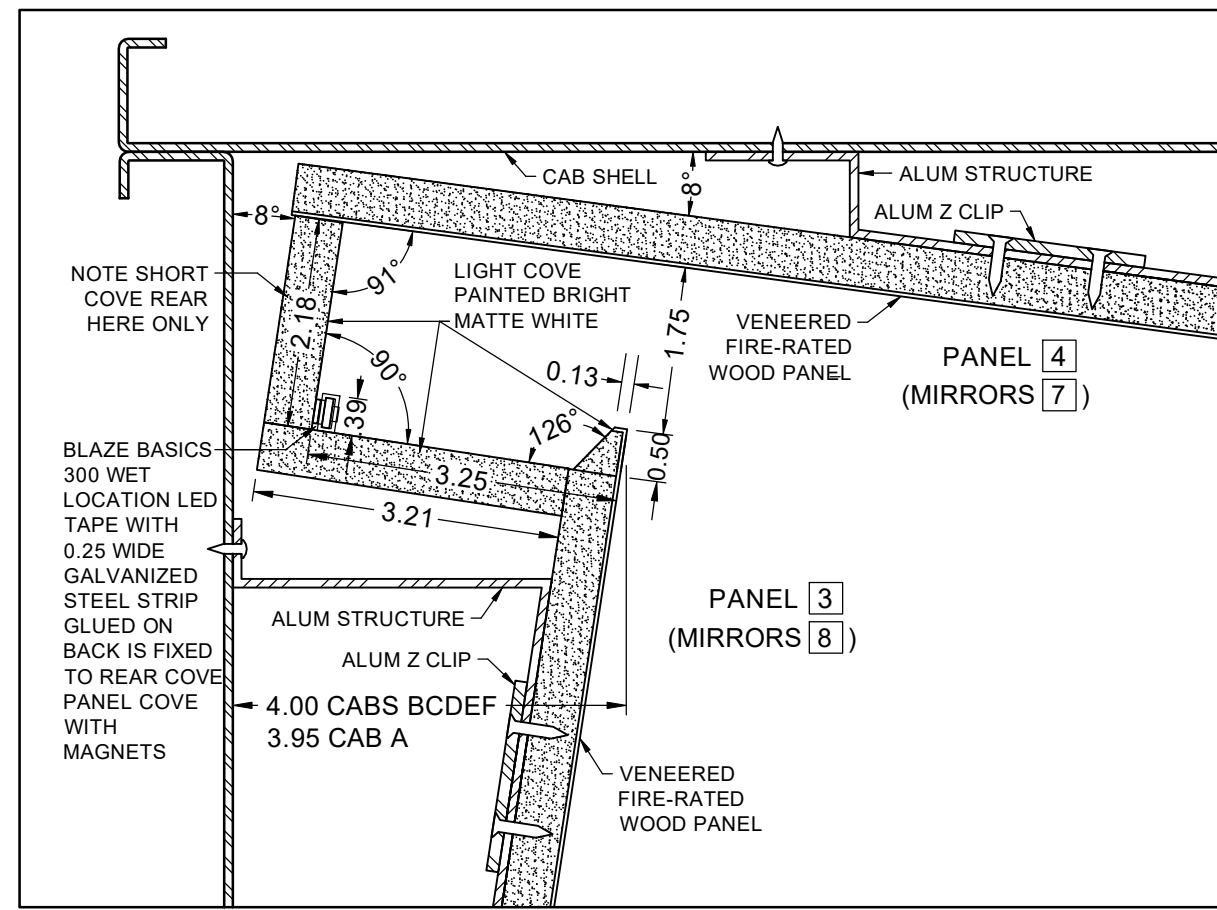
ES

CHECKED

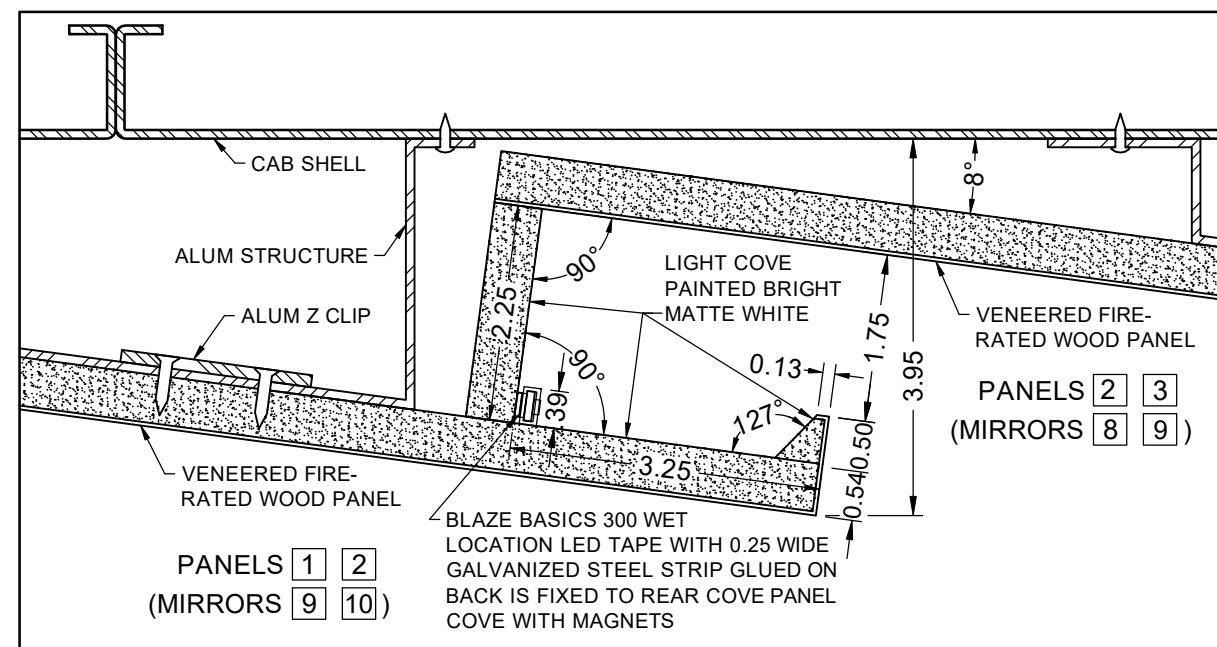
SM

A102

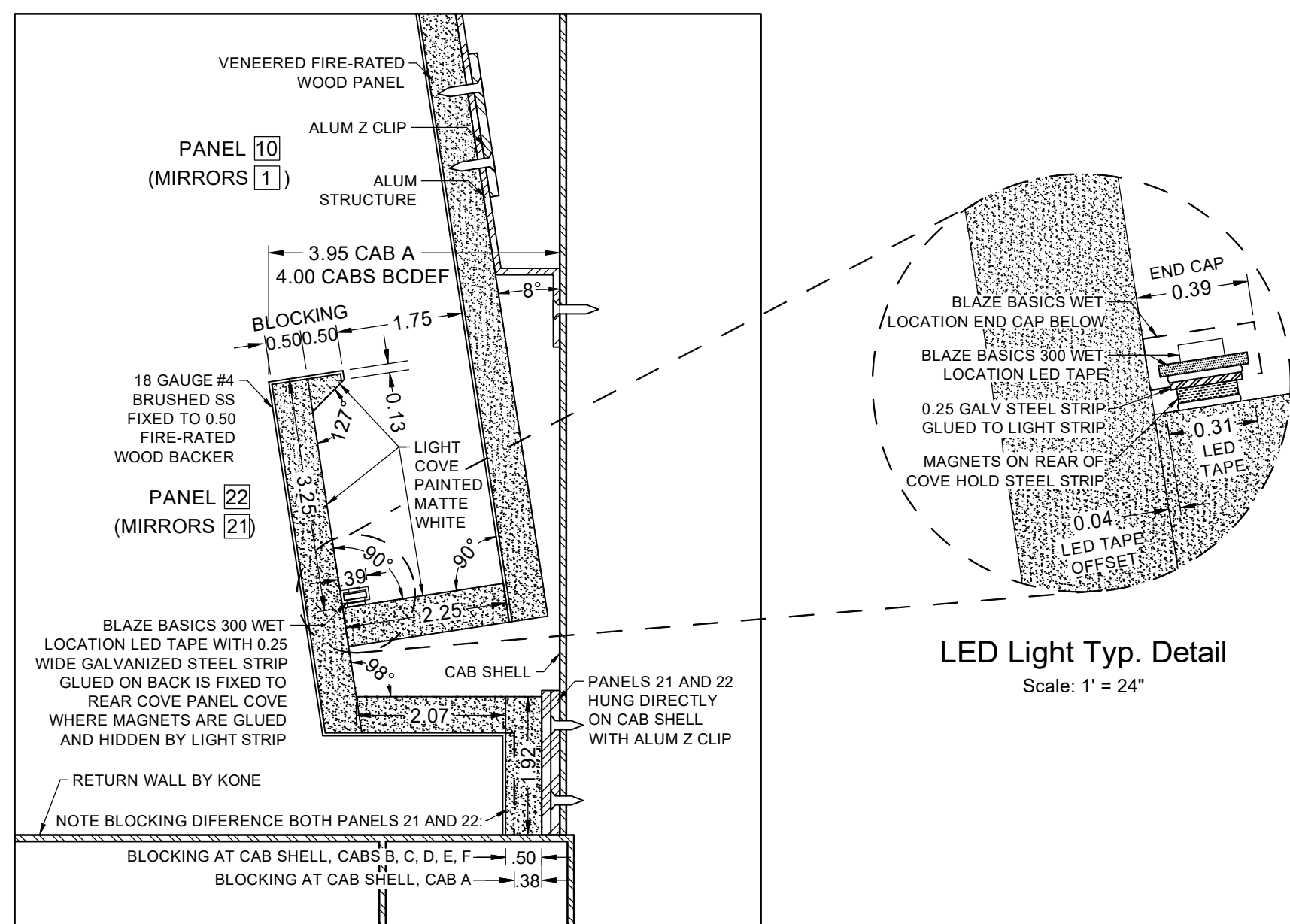




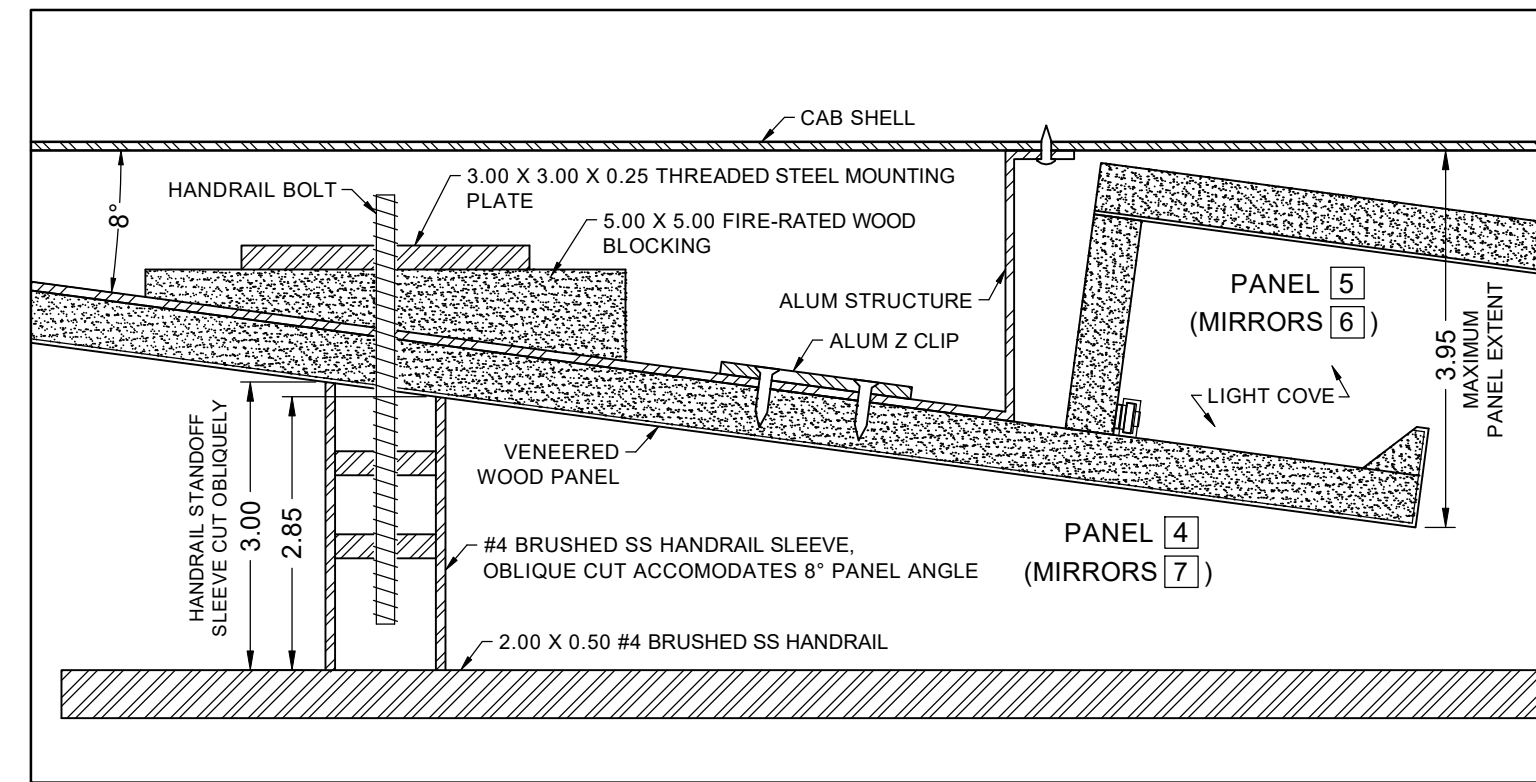
Detail 1 Rear Corner Panel Cove
Scale: 1' = 6"



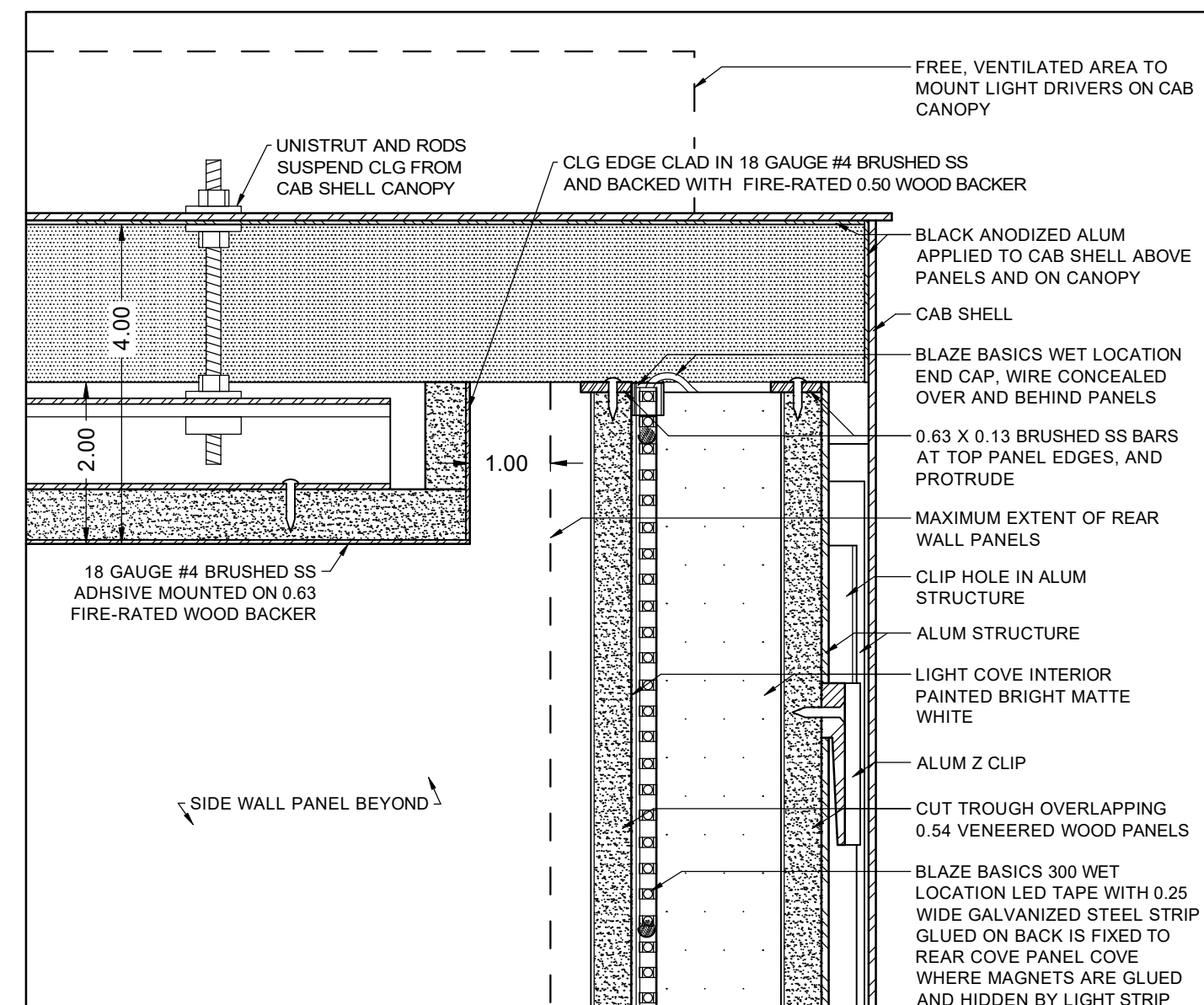
Detail 2 Rear and (rotated) Side Wall Panel Covers
Scale: 1' = 6"



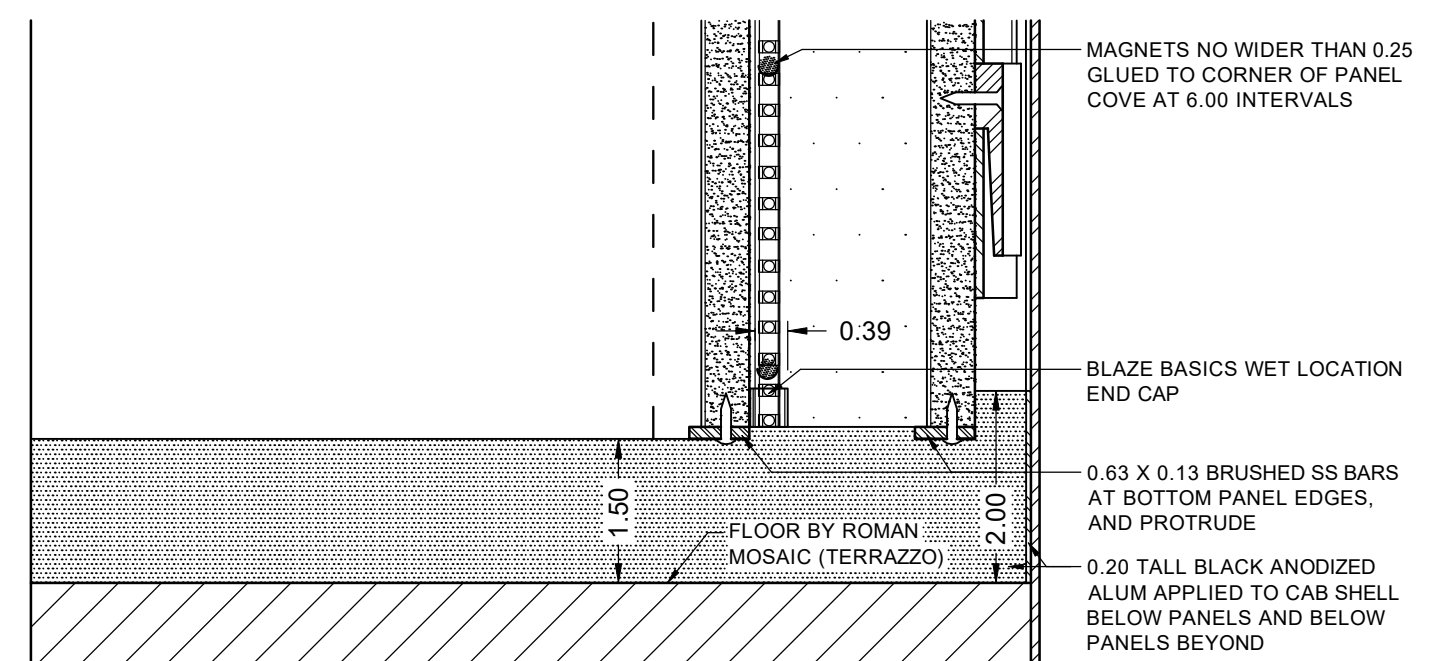
Detail 3 Front Corner Panel Cove
Scale: 1' = 6"



Detail 4 Handrail
Scale: 1' = 6"



Detail 5 Rear Panels / Ceiling
Scale: 1' = 6"



Detail 6 Rear Panels / Floor
Scale: 1' = 6"

REVISIONS

| | |
|--|--|
| | |
|--|--|

PROJECT TITLE

[REDACTED]

PRINCIPAL

[REDACTED]

PROJECT ADDRESS

[REDACTED]

DATE

[REDACTED]

SHEET

3 of 10

SCALE

As Noted

DRAWING

Cabs A, B, C, D, E, F
Details

DRAWN

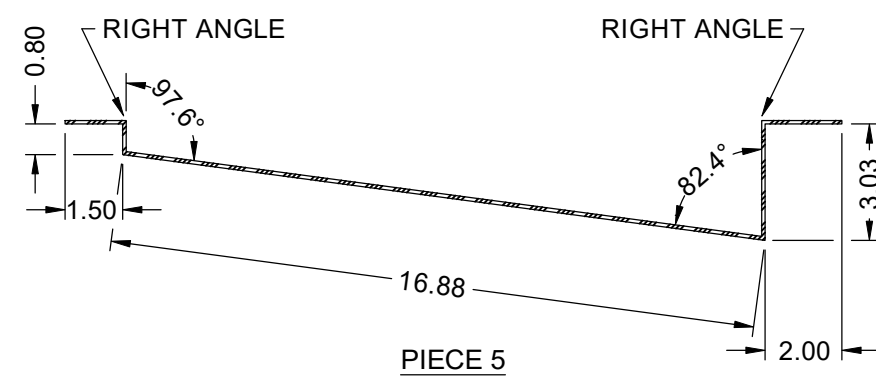
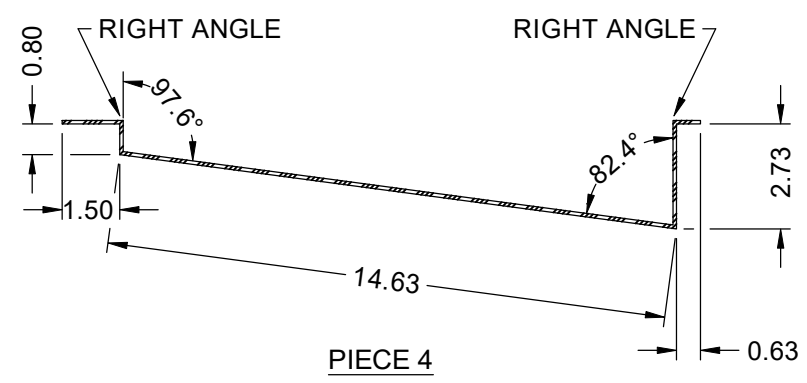
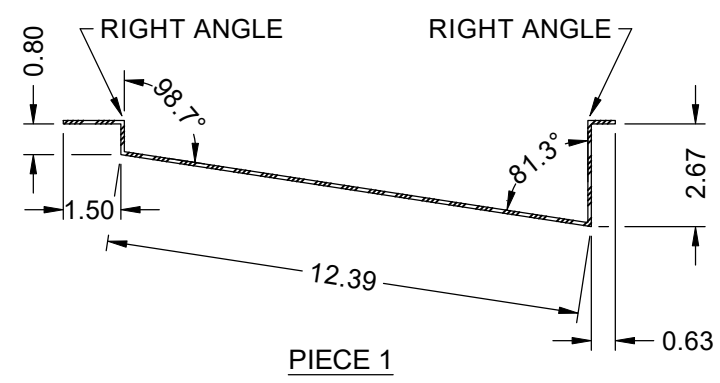
ES

CHECKED

SM

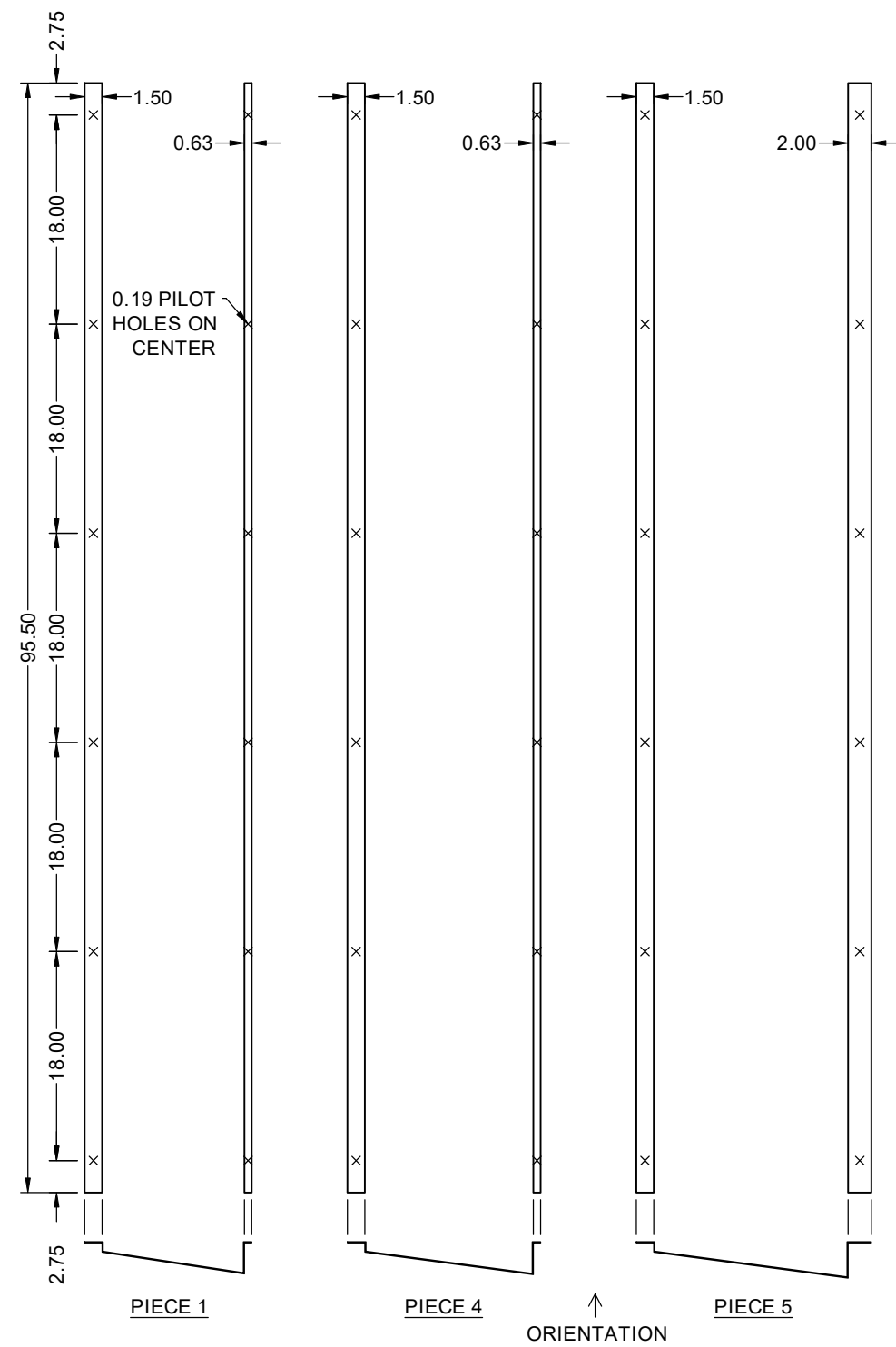
A201

[REDACTED]

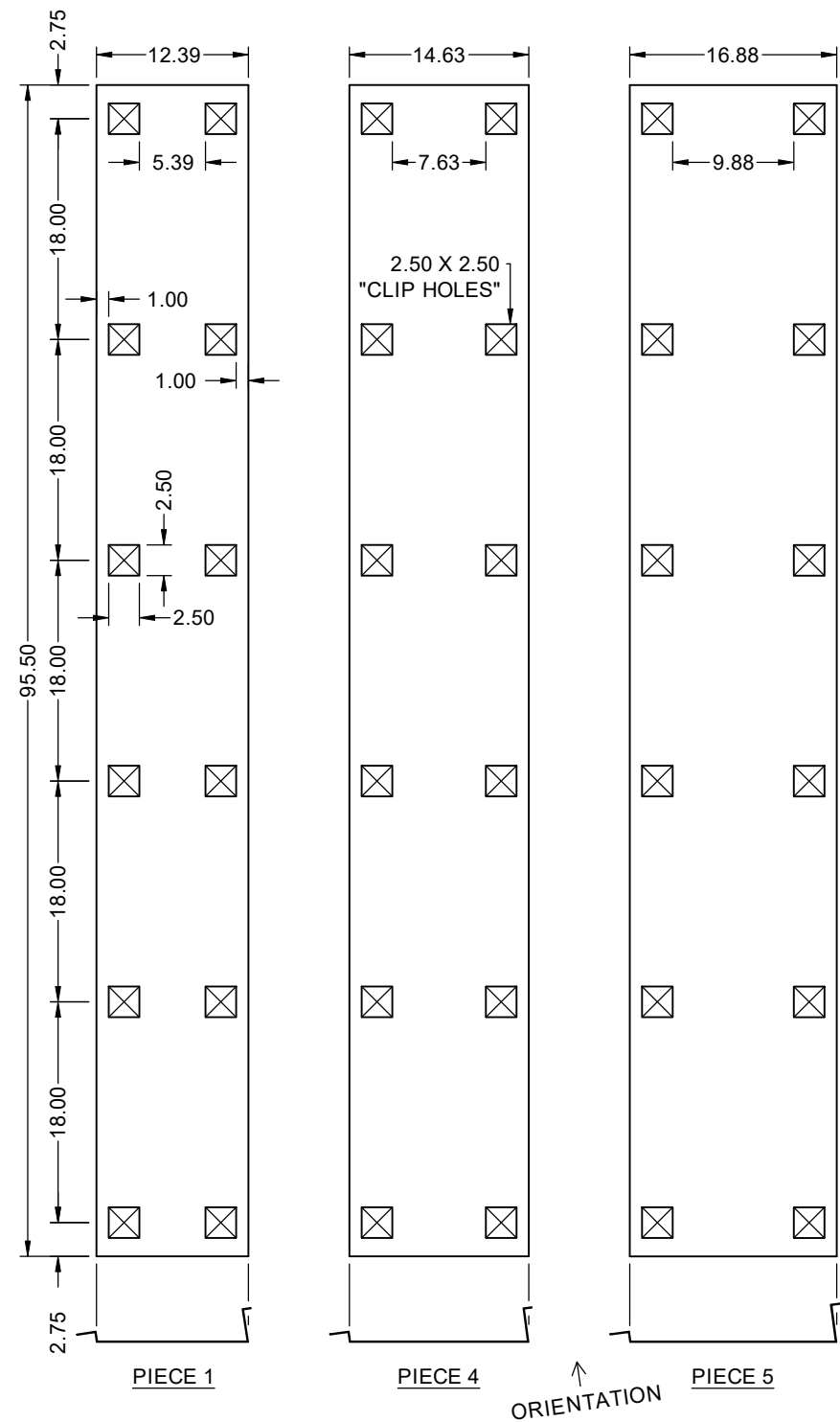


| PIECE | QUANTITY | MATERIAL | GAUGE | APPLICATION |
|-------|----------|--------------------|-------|-------------|
| 1 | 36 | ALUMINUM | 11 | STRUCTURE |
| 4 | 12 | ALUMINUM | 11 | STRUCTURE |
| 5 | 12 | ALUMINUM | 11 | STRUCTURE |
| 21A | 2 | #4 STAINLESS STEEL | 16 | FINISH |
| 21B | 10 | #4 STAINLESS STEEL | 16 | FINISH |

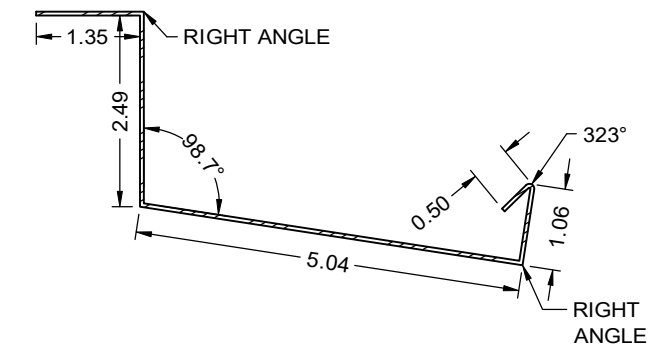
Aluminum Pieces
Sections
Scale: 1:5



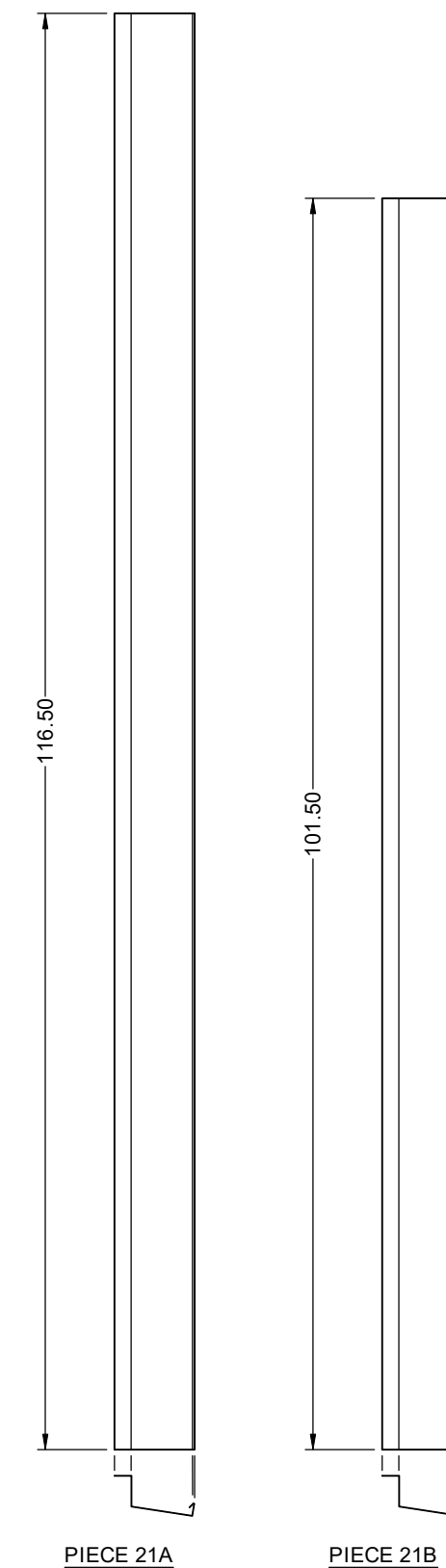
Aluminum Pieces
Flange Elevations
Scale: 1:15



Aluminum Pieces
Face Elevations
Scale: 1:15



SS Pieces
Section
Scale: 1:2.5



SS Pieces
Elevations
Scale: 1:15

REVISIONS

[Redacted]

PROJECT TITLE

[Redacted]

PRINCIPAL

[Redacted]

PROJECT ADDRESS

[Redacted]

DATE

[Redacted]

SHEET

4 of 10

SCALE

As Noted

DRAWING

Cabs A, B, C, D, E, F
Metal Pieces

DRAWN

ES

CHECKED

SM

A301

[Redacted]

ELEVATIONS →

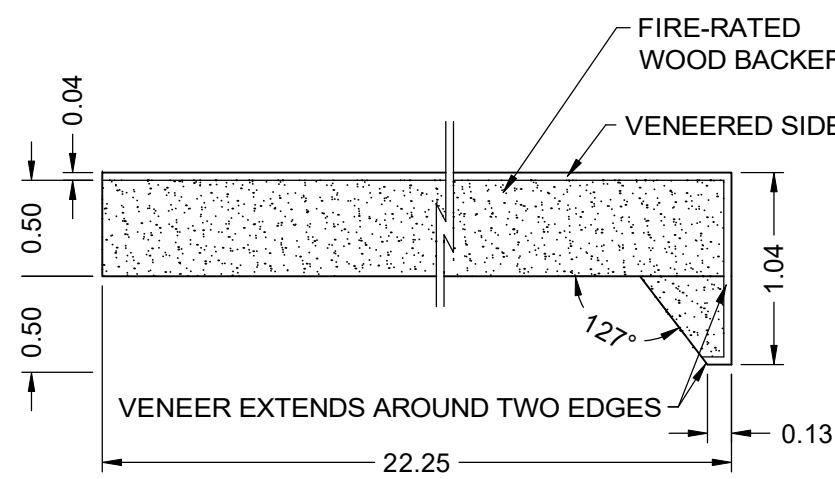
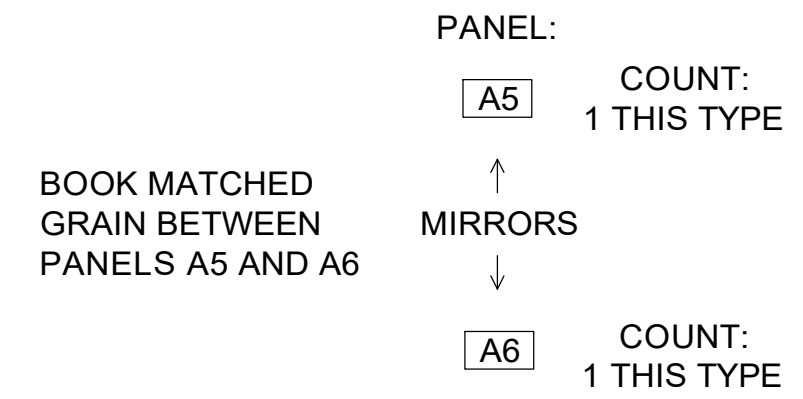
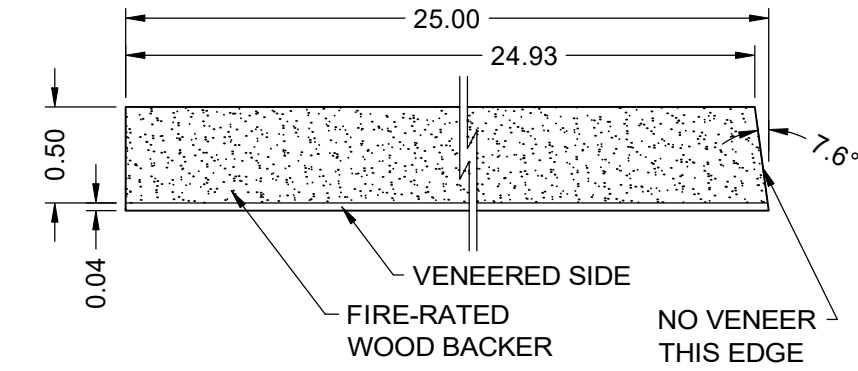
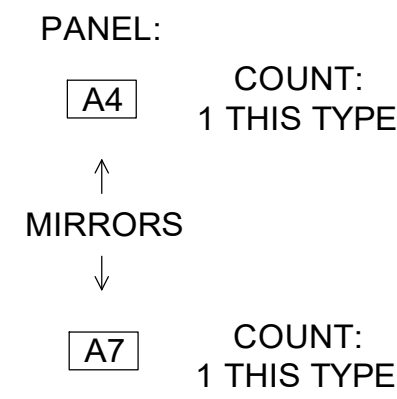
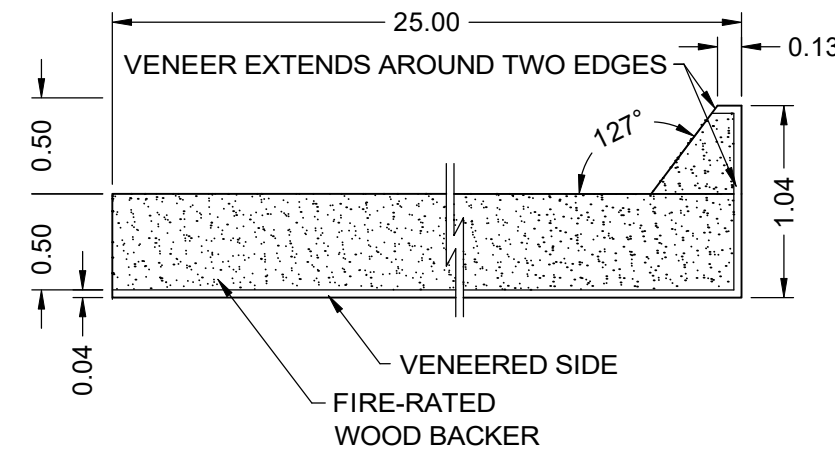
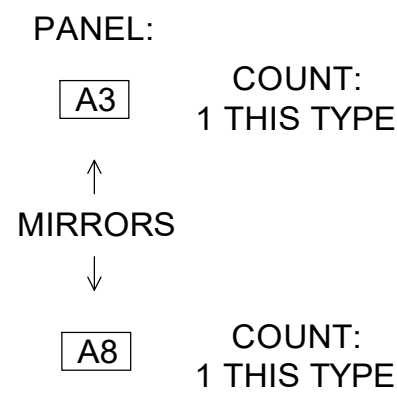
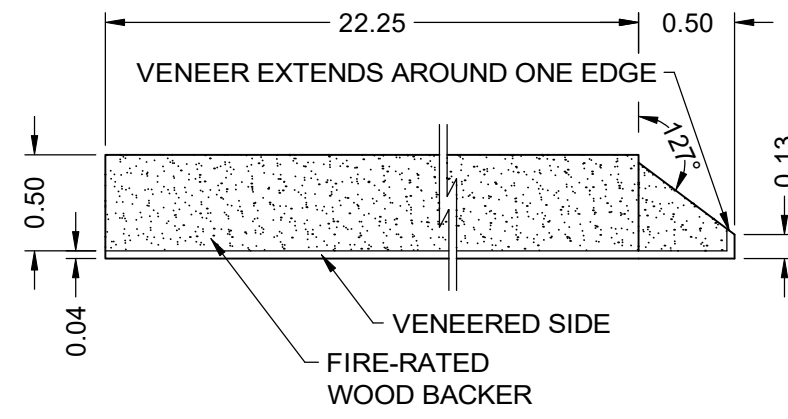
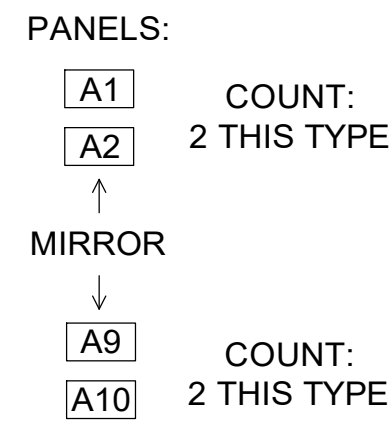
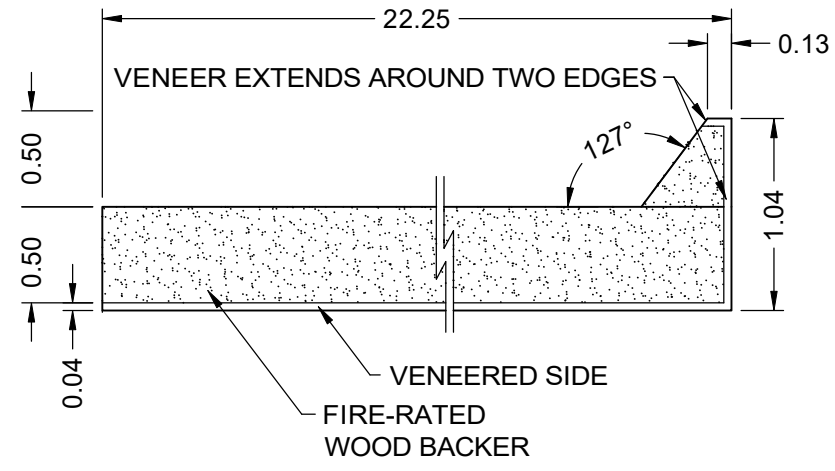
SECTIONS →

ELEVATIONS →

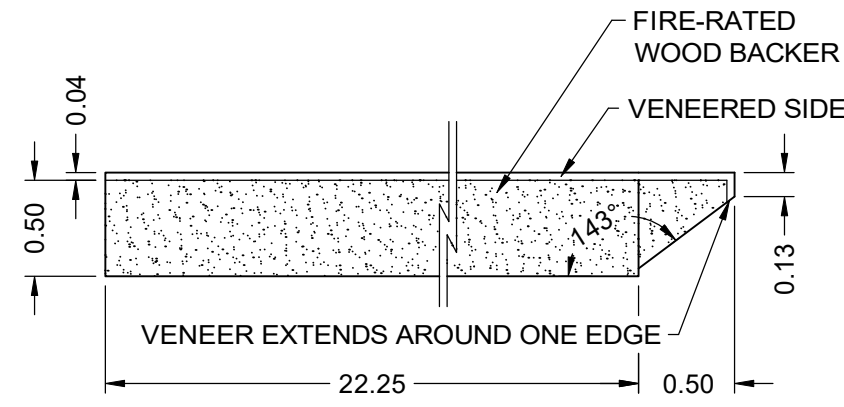
SECTIONS →

A1 - A10 Veneered Wood Panels

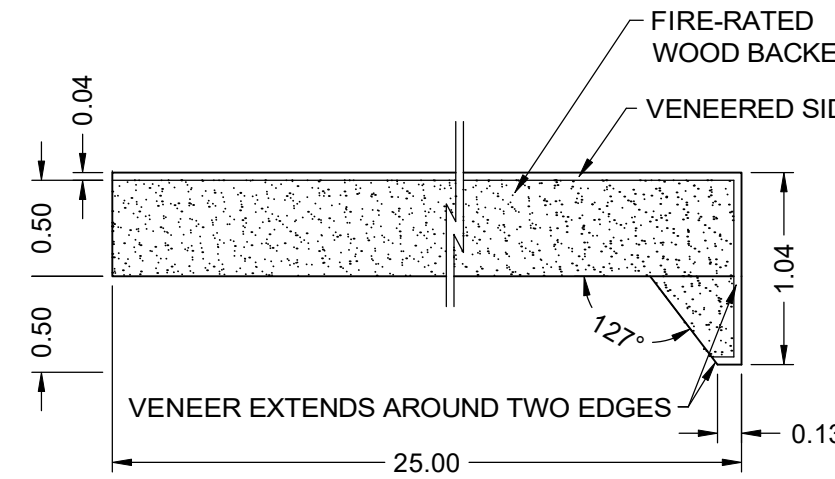
- AA Grade quarter cut hickory
- Slip matched except where noted at panels 5 and 6
- Vertical grain orientation
- 116.50 inches tall
- 10 panels total



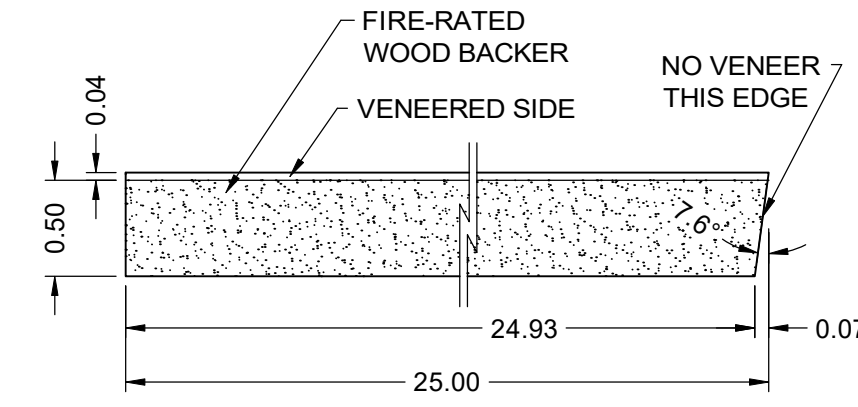
Details
Scale: 1:1



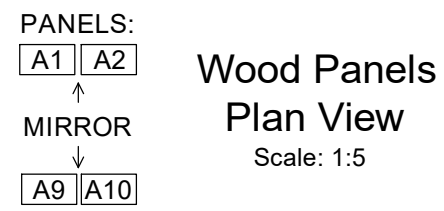
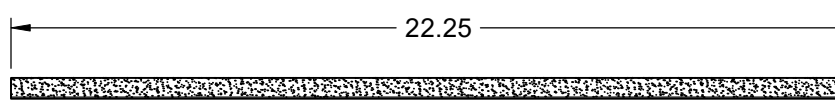
Details
Scale: 1:1



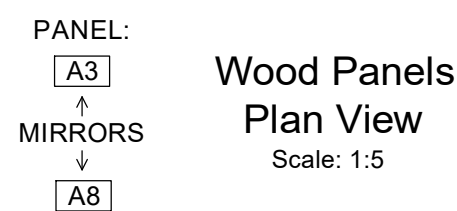
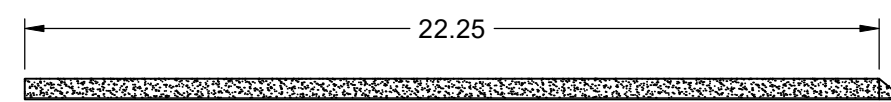
Details
Scale: 1:1



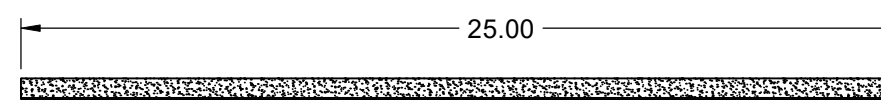
Details
Scale: 1:1



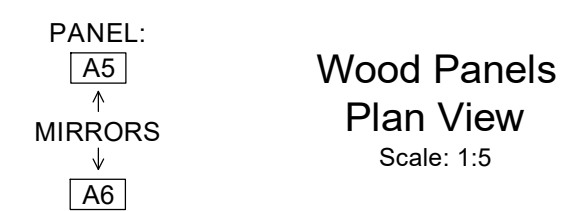
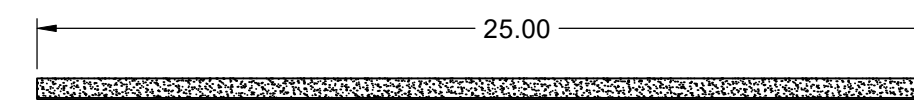
Wood Panels
Plan View
Scale: 1:5



Wood Panels
Plan View
Scale: 1:5



Wood Panels
Plan View
Scale: 1:5



Wood Panels
Plan View
Scale: 1:5

REVISIONS

| | |
|--|--|
| | |
|--|--|

PROJECT TITLE

PRINCIPAL

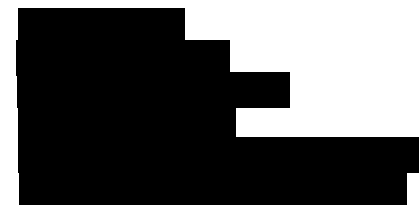
PROJECT ADDRESS

DATE

SHEET 5 of 10 SCALE As Noted

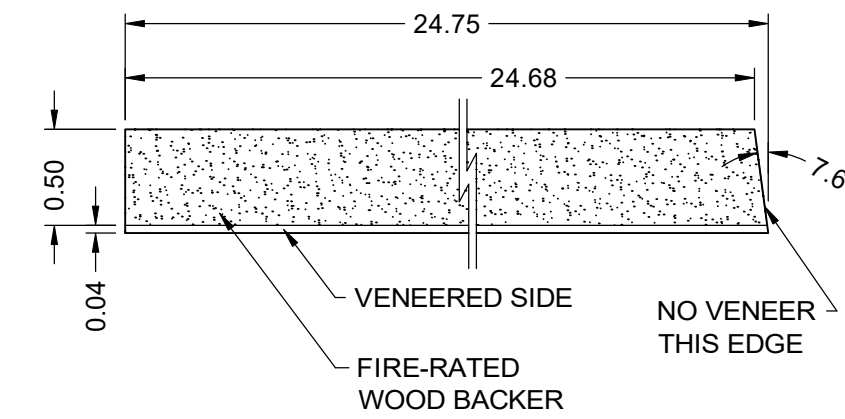
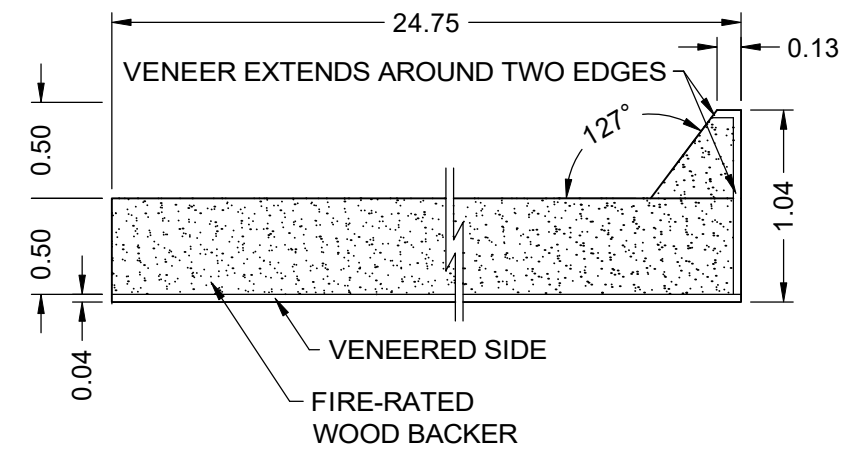
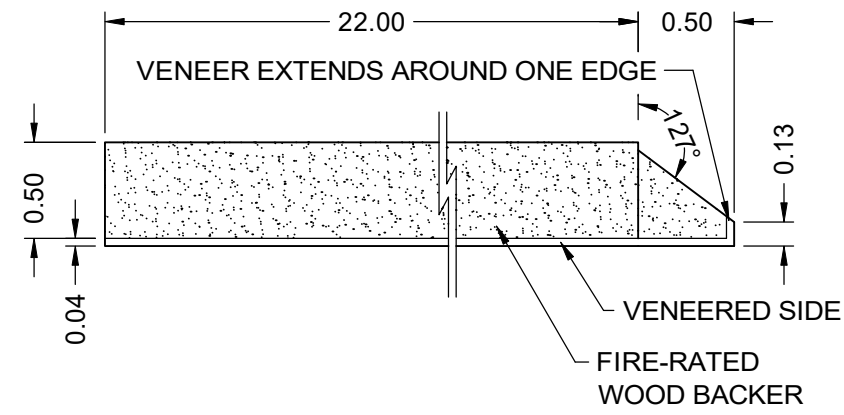
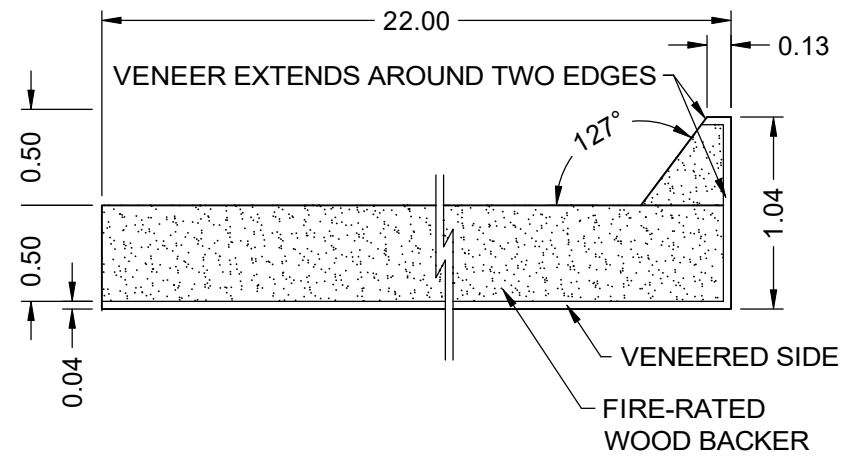
DRAWING
 Cab A
 Veneered Wood Panels
 Fabricator Details

DRAWN ES
 CHECKED SM
A302



B1 - B10 Veneered Wood Panels

- AA Grade quarter cut hickory
- Slip matched except where noted at panels 5 and 6
- Vertical grain orientation
- 101.50 inches tall
- 50 panels total



PANELS:

B1 COUNT:
B2 10 THIS TYPE

MIRROR

B9 COUNT:
B10 10 THIS TYPE

PANEL:

B3 COUNT:
5 THIS TYPE

MIRRORS

B8 COUNT:
5 THIS TYPE

PANEL:

B4 COUNT:
5 THIS TYPE

MIRRORS

B7 COUNT:
5 THIS TYPE

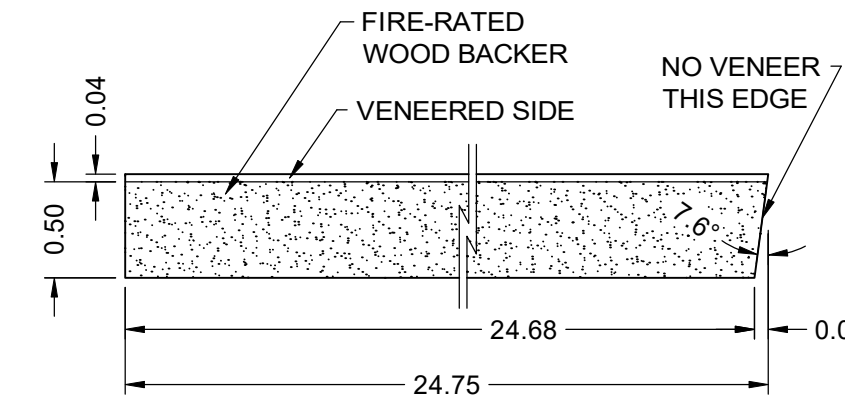
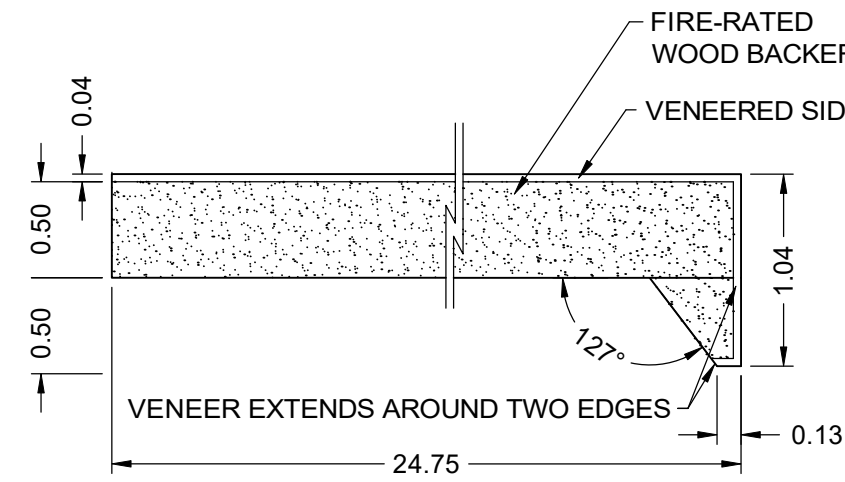
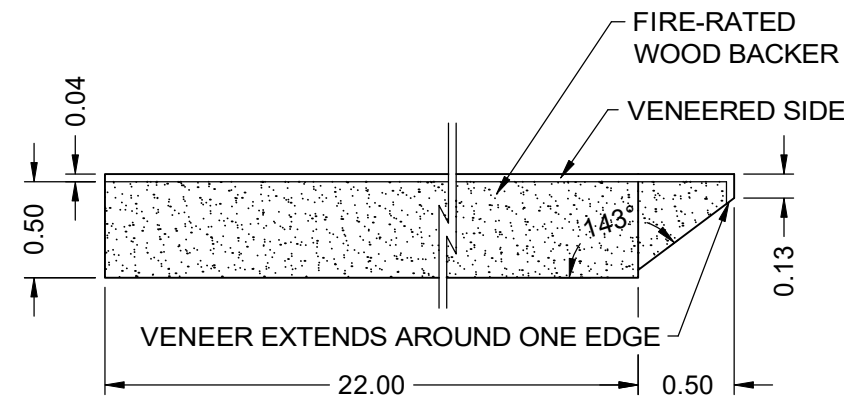
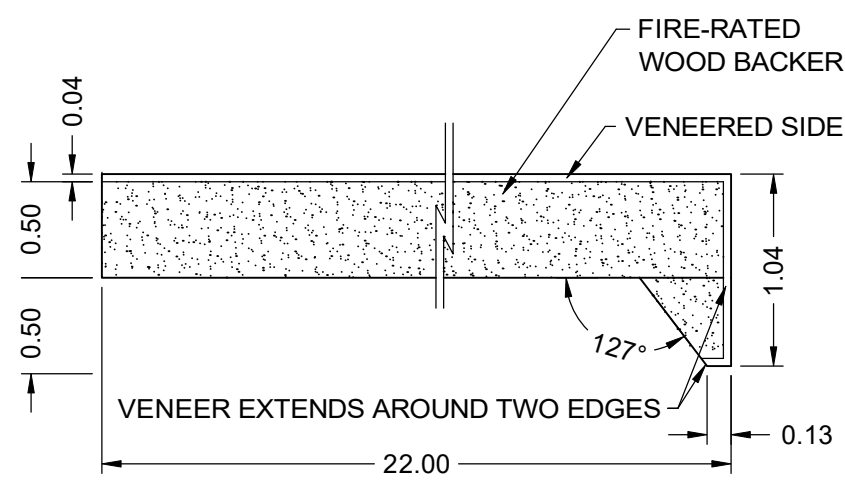
PANEL:

B5 COUNT:
5 THIS TYPE

MIRRORS

B6 COUNT:
5 THIS TYPE

BOOK MATCHED
GRAIN BETWEEN
PANELS A5 AND A6

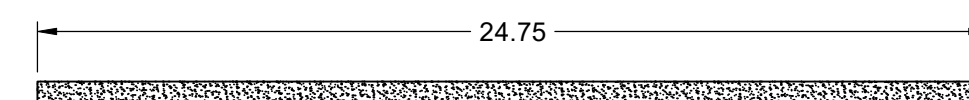
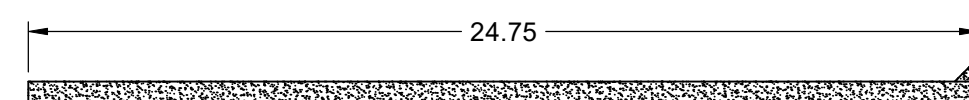
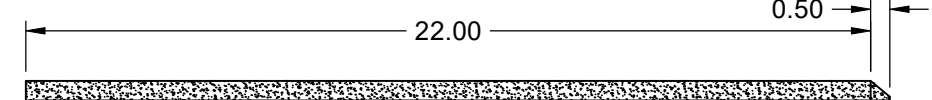
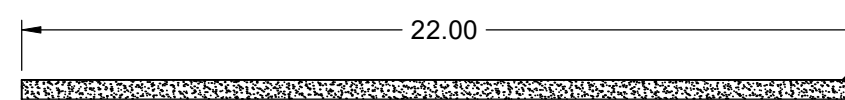


Details
Scale: 1:1

Details
Scale: 1:1

Details
Scale: 1:1

Details
Scale: 1:1

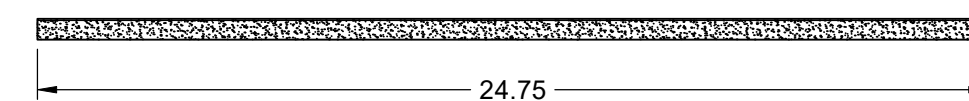
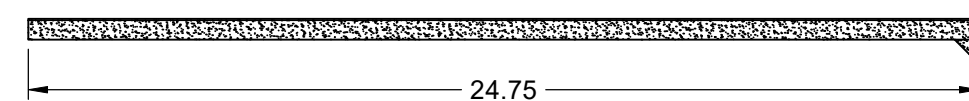
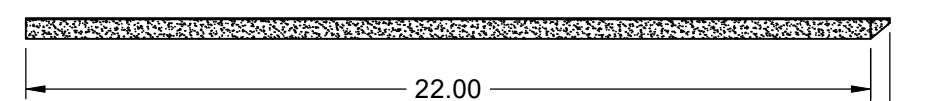
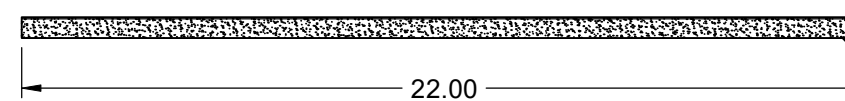


PANELS:
B1 **B2**
MIRROR
B9 **B10**
Wood Panels Plan View
Scale: 1:5

PANEL:
B3
MIRRORS
B8
Wood Panels Plan View
Scale: 1:5

PANEL:
B4
MIRRORS
B7
Wood Panels Plan View
Scale: 1:5

PANEL:
B5
MIRRORS
B6
Wood Panels Plan View
Scale: 1:5



| REVISIONS |
|-----------|
| |

PROJECT TITLE

PRINCIPAL

PROJECT ADDRESS

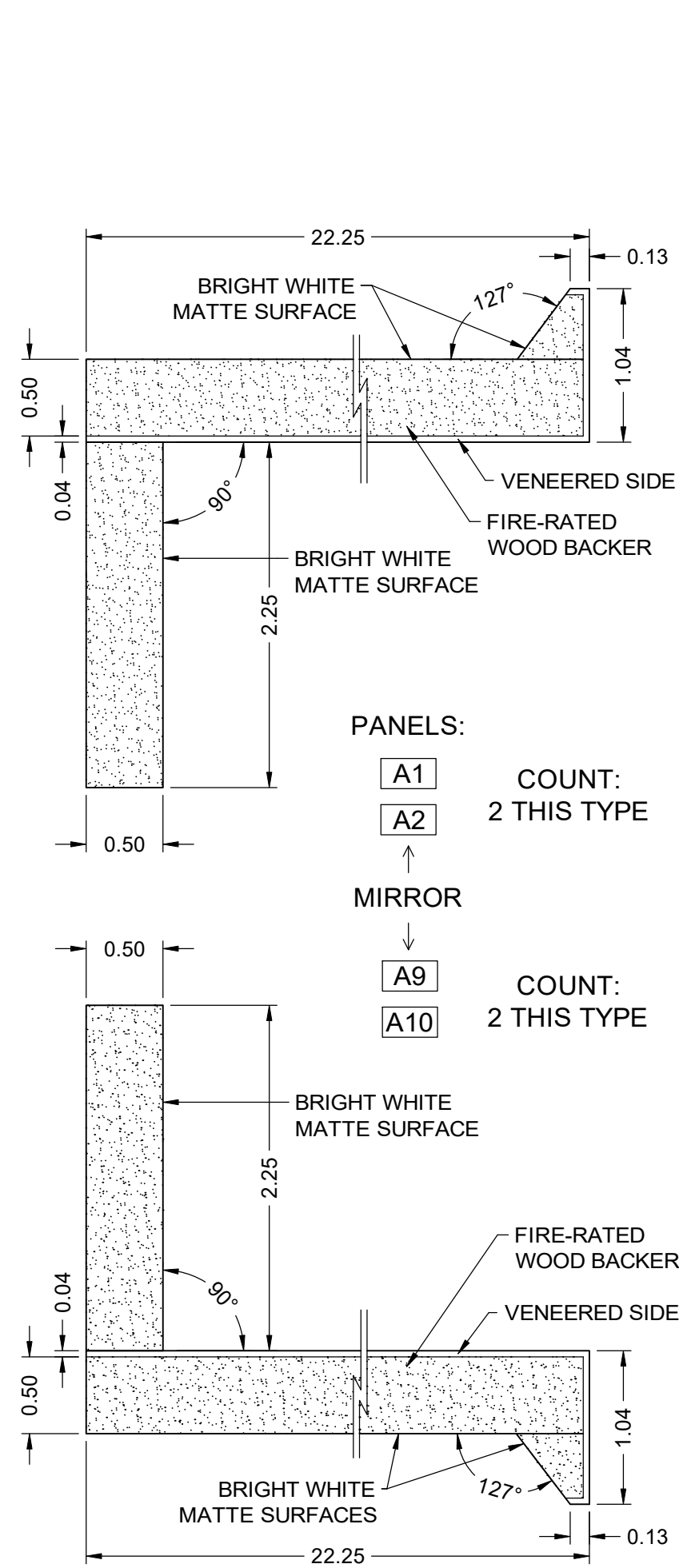
DATE

SHEET 6 of 10 SCALE As Noted

DRAWING
Cabs B, C, D, E, F
Veneered Wood Panels
Fabricator Details

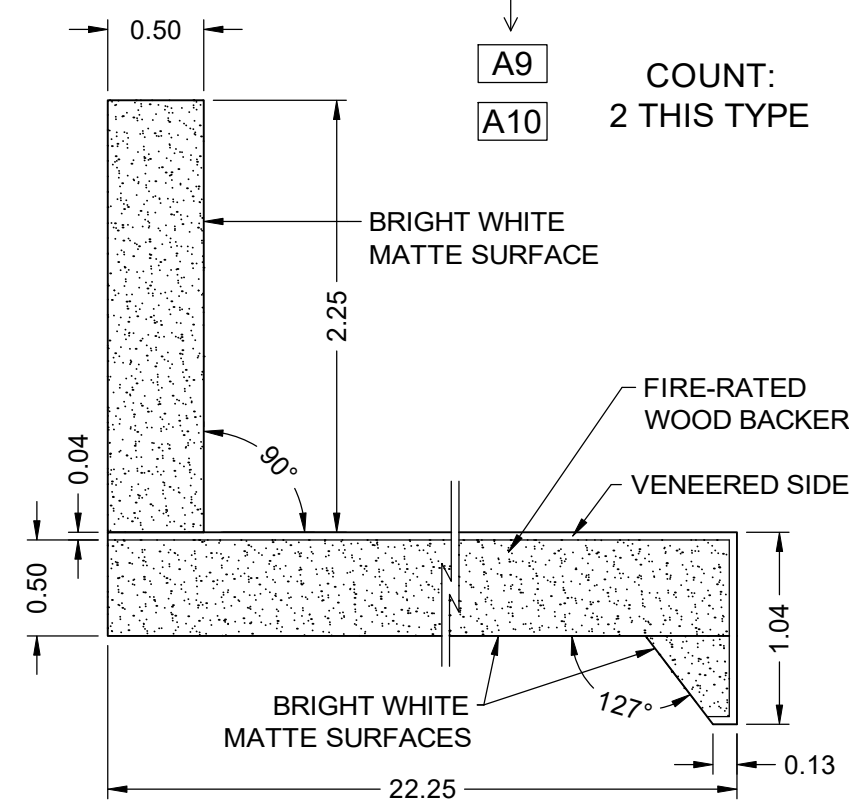
DRAWN ES
CHECKED SM
A303



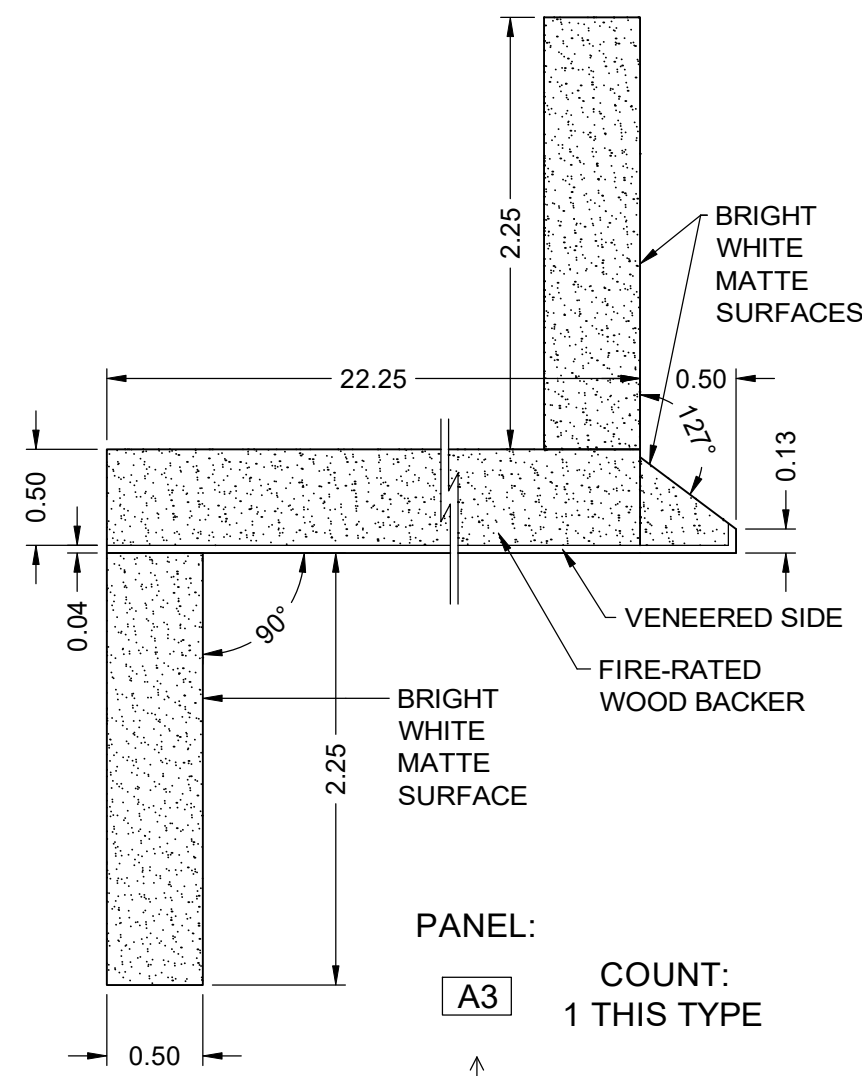


PANELS:
A1 COUNT: 2 THIS TYPE
A2

MIRROR
A9 COUNT: 2 THIS TYPE
A10

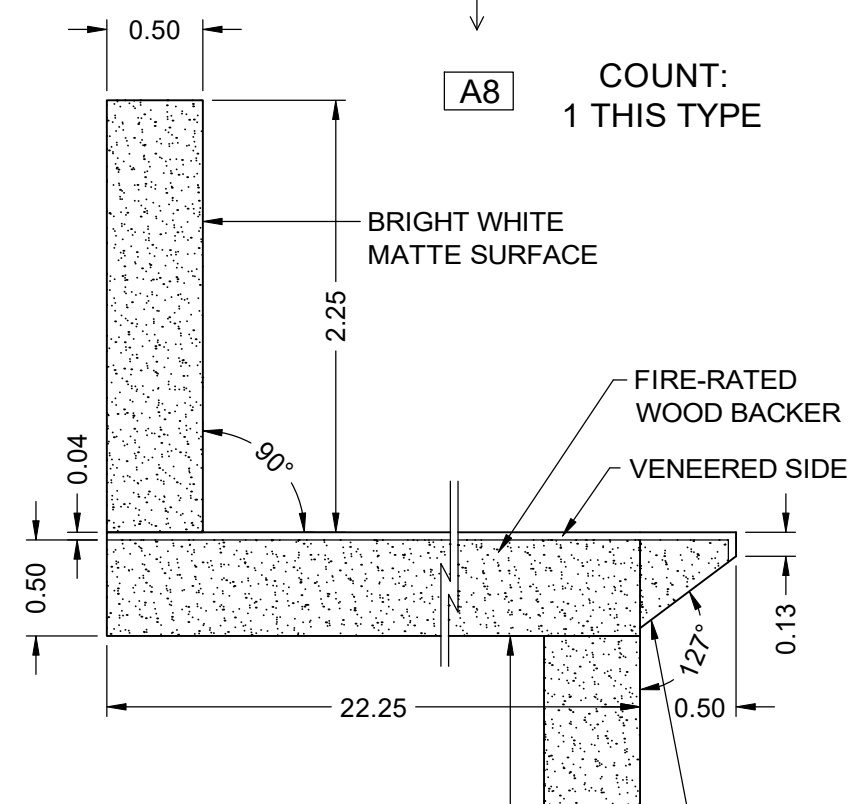


Details
 Scale: 1:1

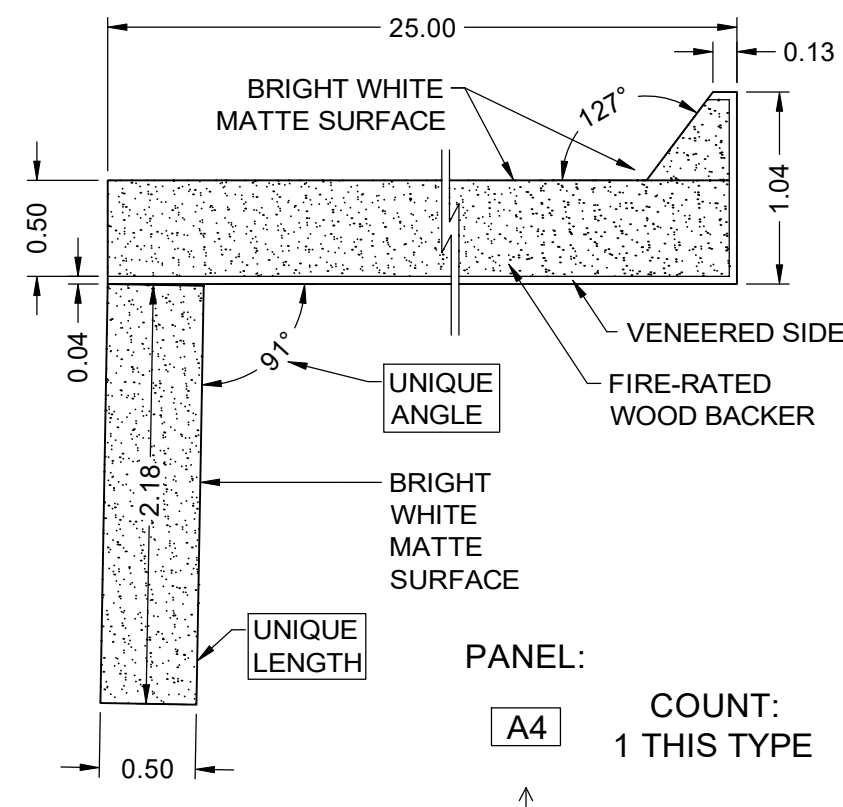


PANEL:
A3 COUNT: 1 THIS TYPE

MIRRORS
A8 COUNT: 1 THIS TYPE



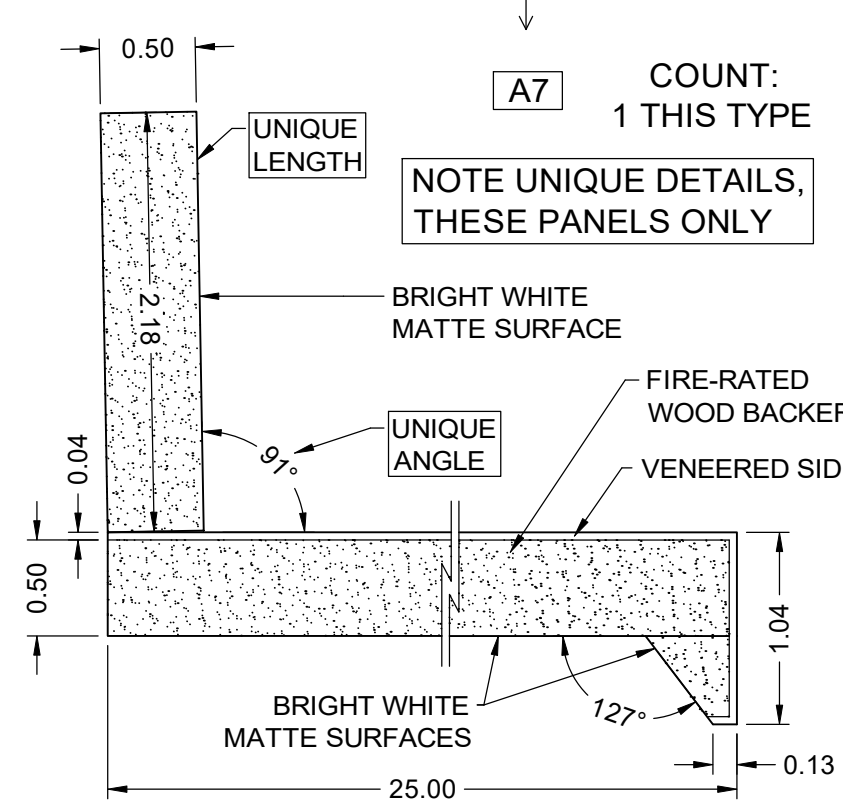
Details
 Scale: 1:1



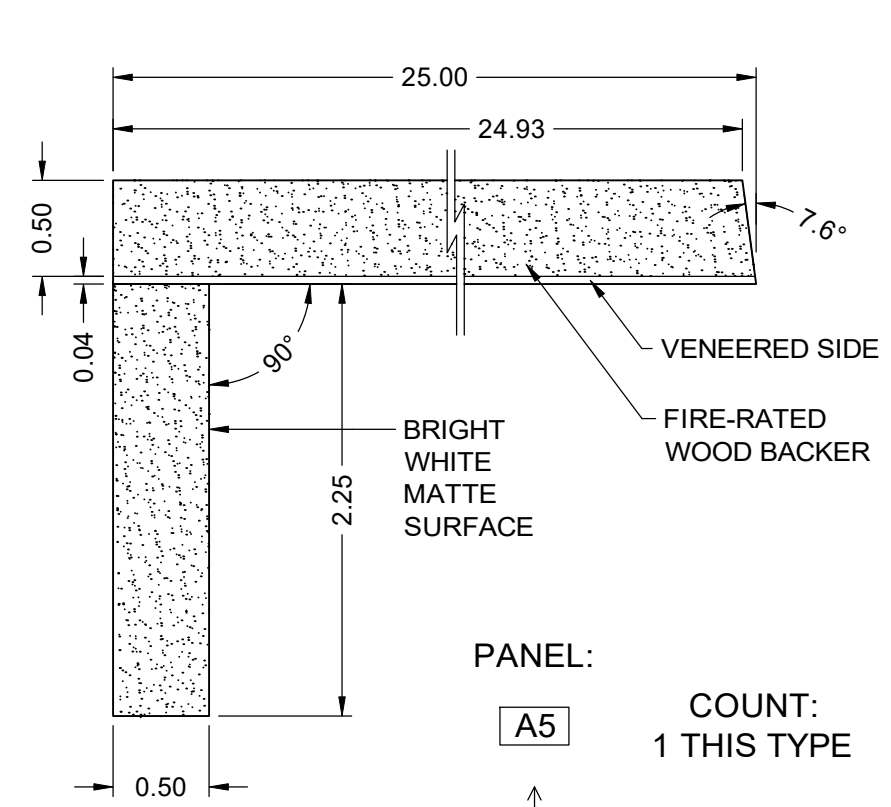
PANEL:
A4 COUNT: 1 THIS TYPE

MIRRORS
A7 COUNT: 1 THIS TYPE

NOTE UNIQUE DETAILS, THESE PANELS ONLY

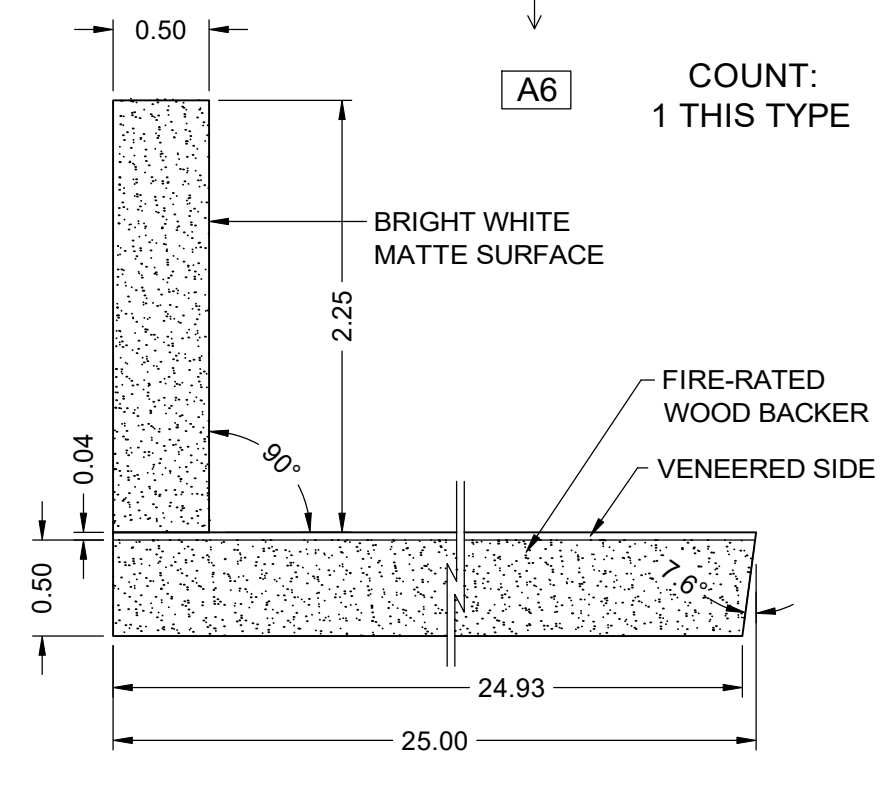


Details
 Scale: 1:1

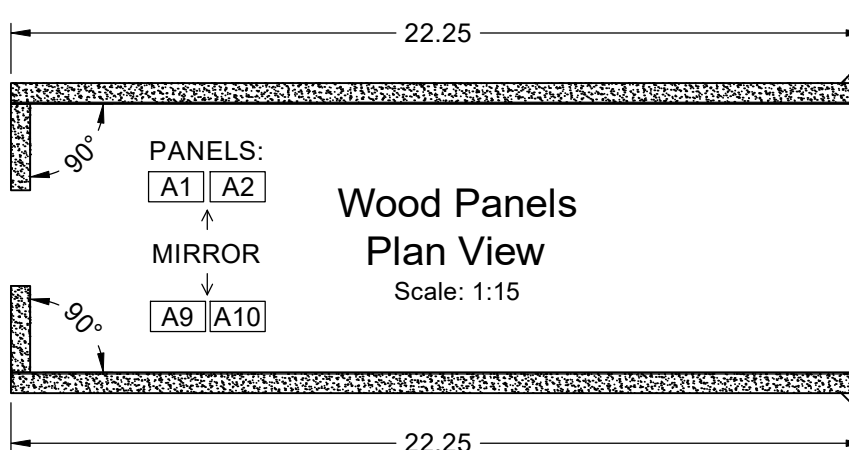


PANEL:
A5 COUNT: 1 THIS TYPE

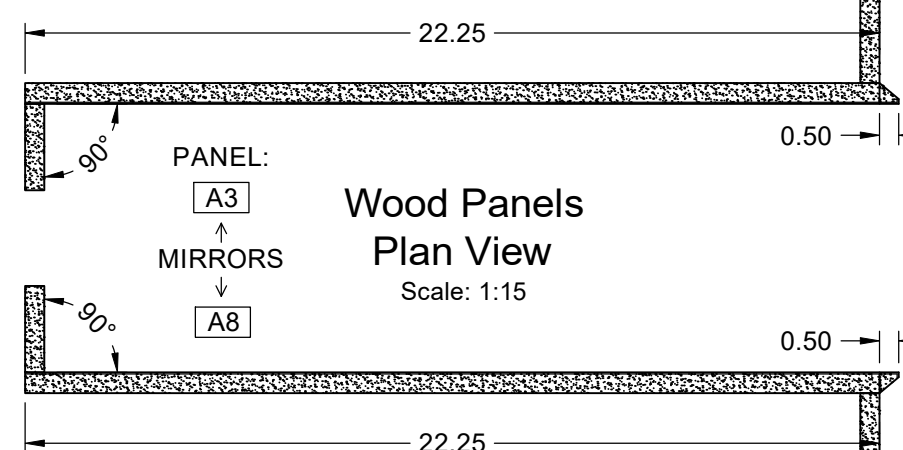
MIRRORS
A6 COUNT: 1 THIS TYPE



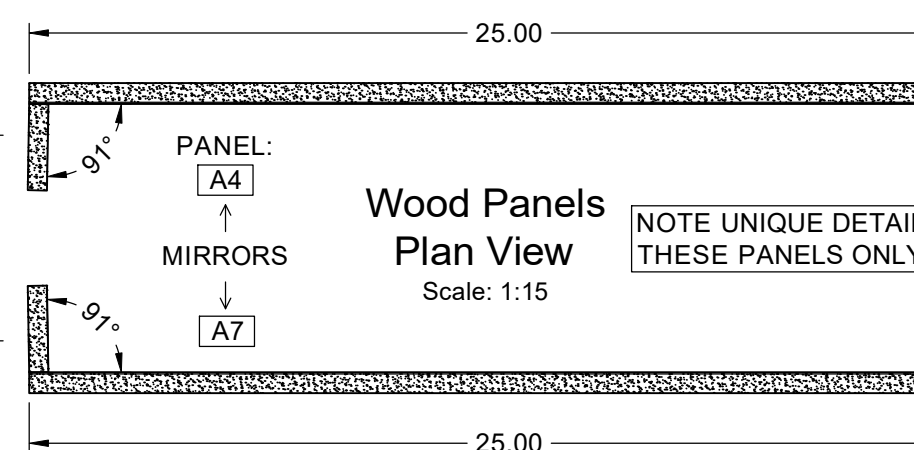
Details
 Scale: 1:1



Wood Panels
 Plan View
 Scale: 1:15

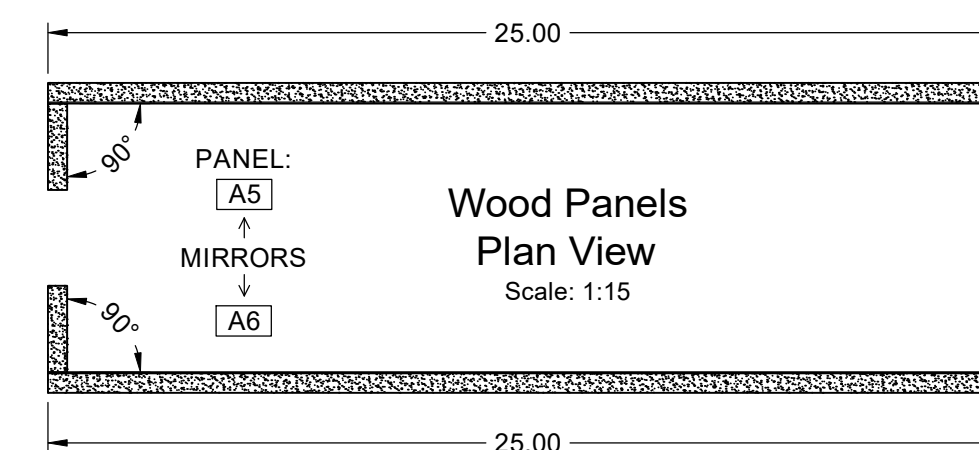


Wood Panels
 Plan View
 Scale: 1:15



Wood Panels
 Plan View
 Scale: 1:15

NOTE UNIQUE DETAILS, THESE PANELS ONLY



Wood Panels
 Plan View
 Scale: 1:15

REVISIONS

| | |
|--|--|
| | |
|--|--|

PROJECT TITLE

[REDACTED]

PRINCIPAL

[REDACTED]

PROJECT ADDRESS

[REDACTED]

DATE

[REDACTED]

SHEET

7 of 10

SCALE

As Noted

DRAWING

Cab A
A Wood Panels
 CabSol Assembly Details

DRAWN

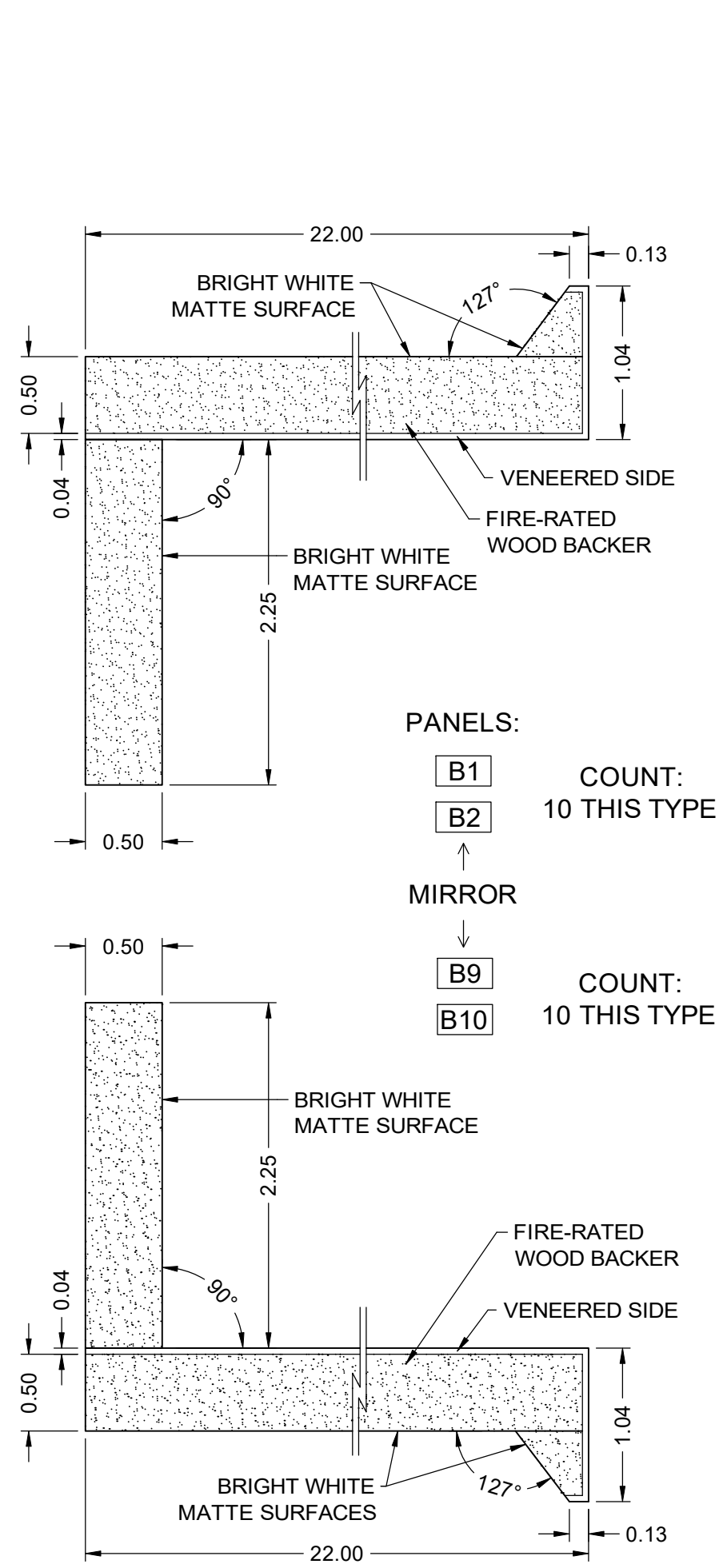
ES

CHECKED

SM

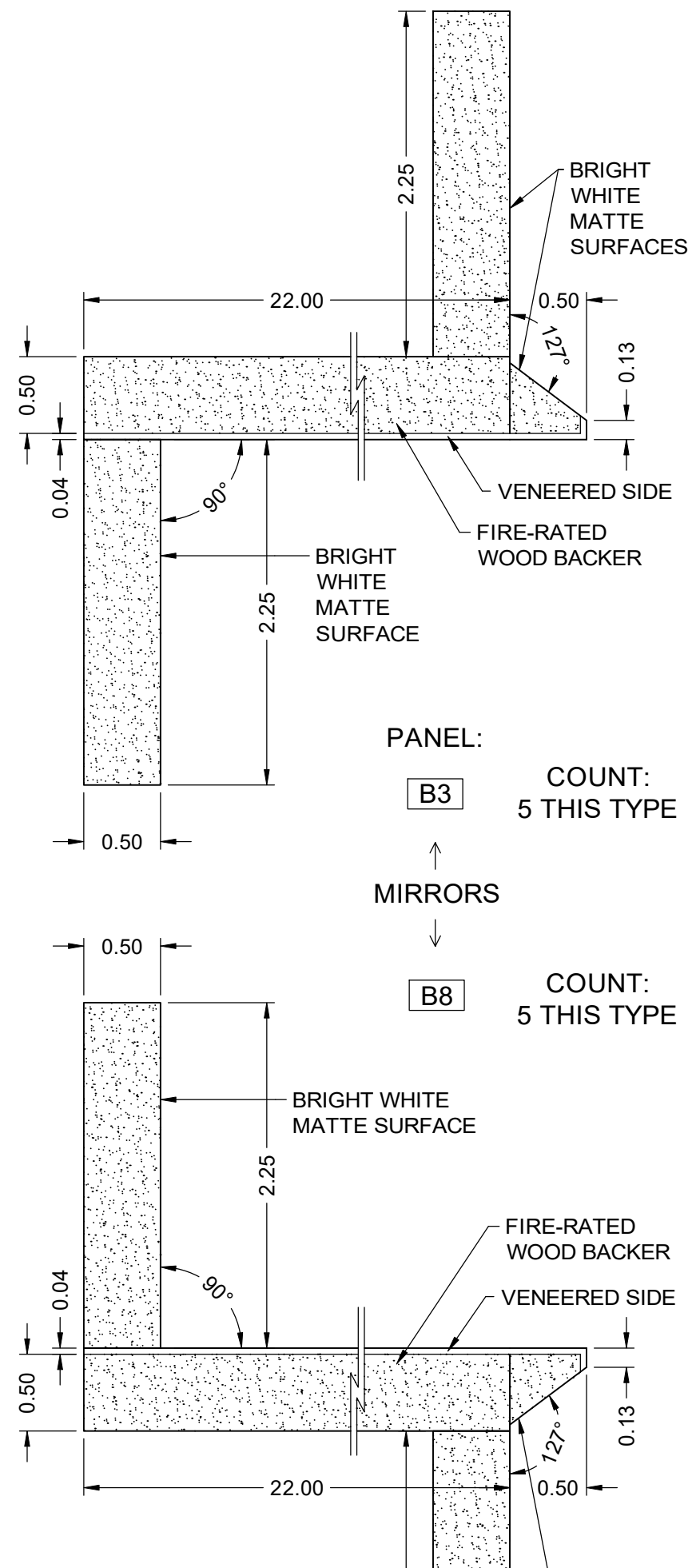
A304

[REDACTED]



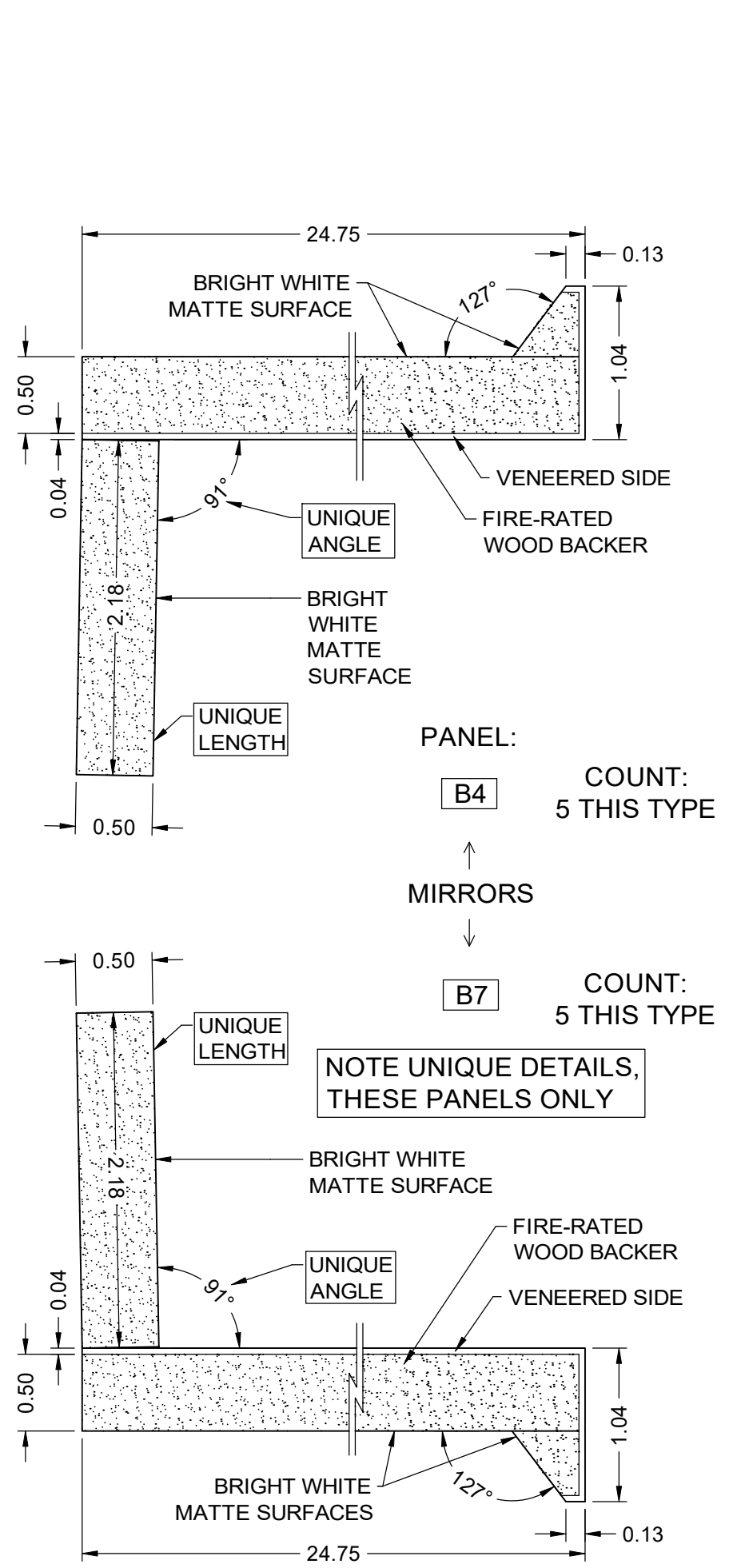
PANELS:
B1 COUNT: 10 THIS TYPE
B2
 MIRROR
B9 COUNT: 10 THIS TYPE
B10

Details
 Scale: 1:1



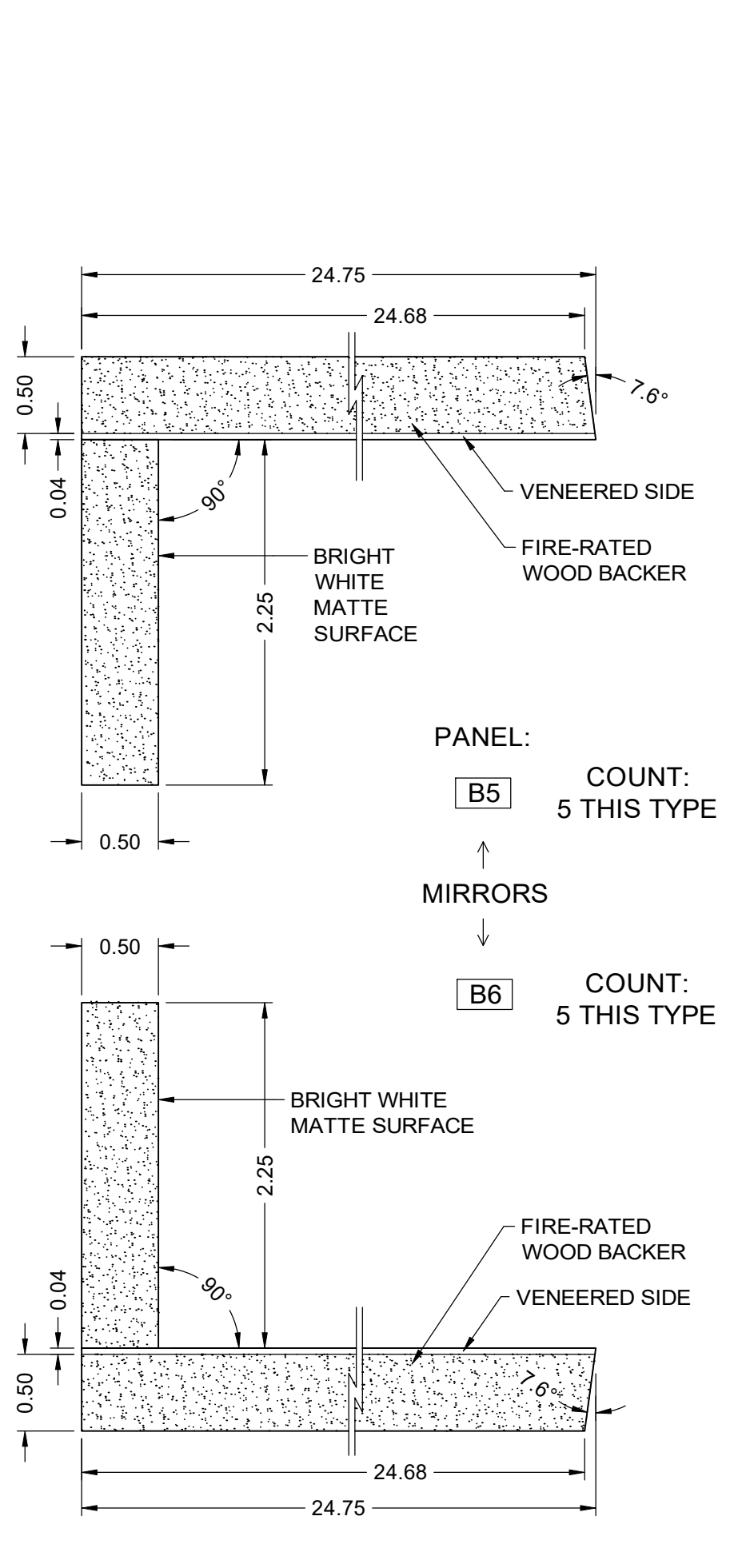
PANEL:
B3 COUNT: 5 THIS TYPE
 MIRRORS
B8 COUNT: 5 THIS TYPE

Details
 Scale: 1:1



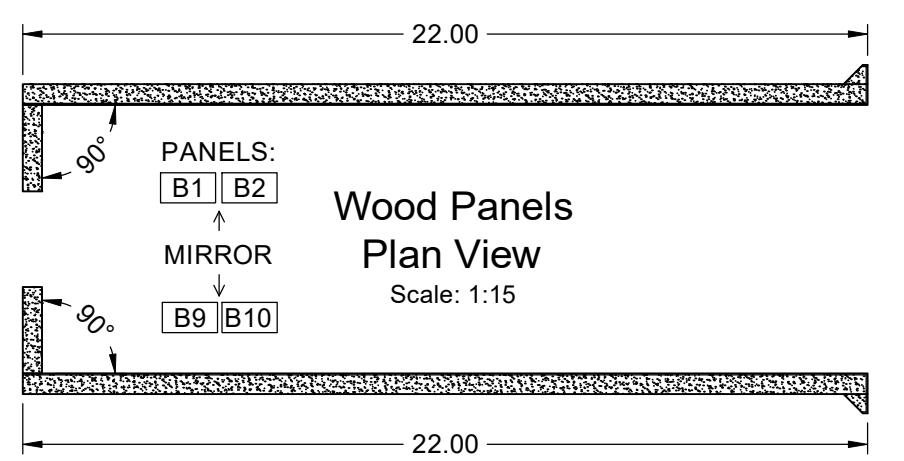
PANEL:
B4 COUNT: 5 THIS TYPE
 MIRRORS
B7 COUNT: 5 THIS TYPE

Details
 Scale: 1:1

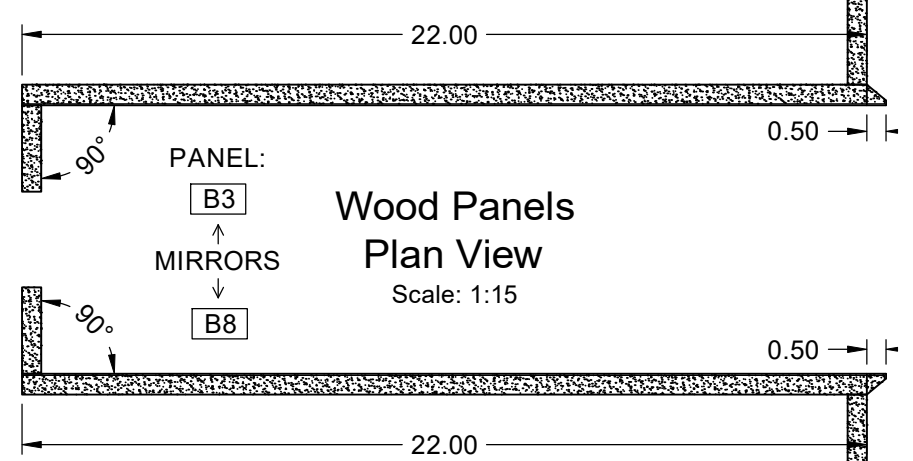


PANEL:
B5 COUNT: 5 THIS TYPE
 MIRRORS
B6 COUNT: 5 THIS TYPE

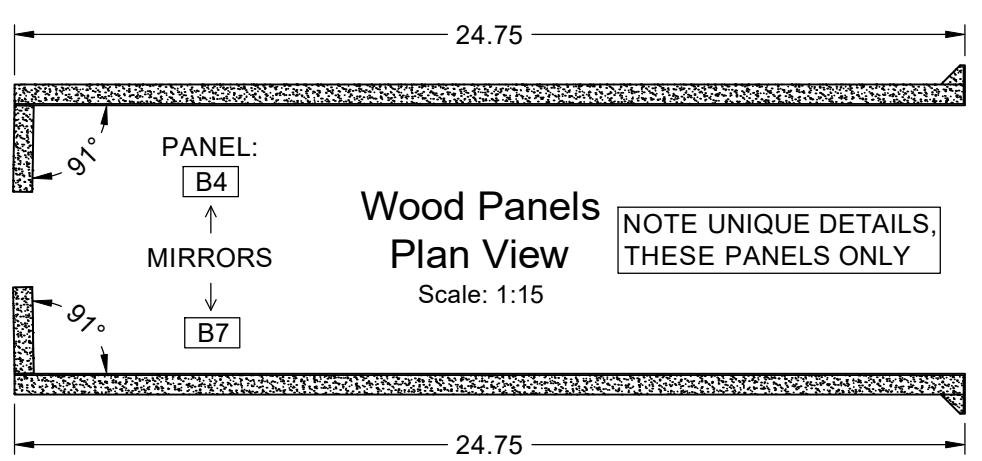
Details
 Scale: 1:1



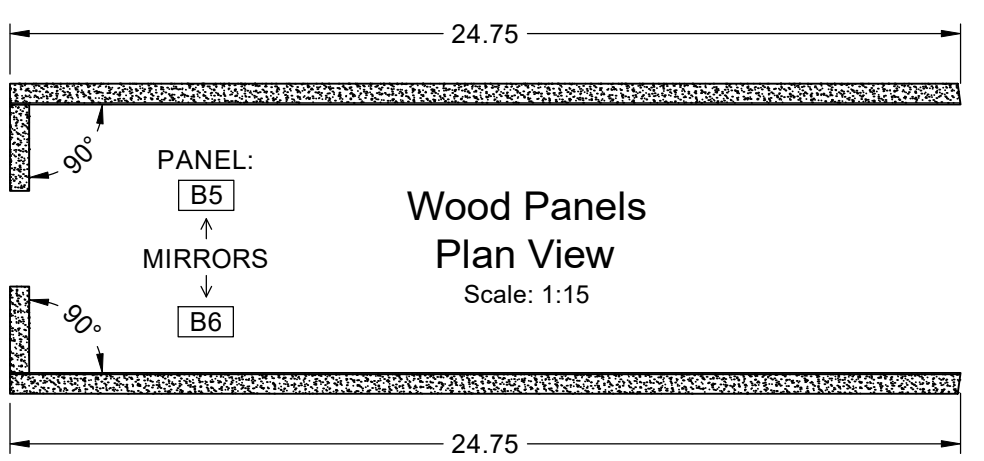
Wood Panels
 Plan View
 Scale: 1:15



Wood Panels
 Plan View
 Scale: 1:15



Wood Panels
 Plan View
 Scale: 1:15



Wood Panels
 Plan View
 Scale: 1:15

| REVISIONS |
|------------|
| [Redacted] |

PROJECT TITLE

[Redacted]

PRINCIPAL

[Redacted]

PROJECT ADDRESS

[Redacted]

DATE

SHEET 8 of 10

SCALE As Noted

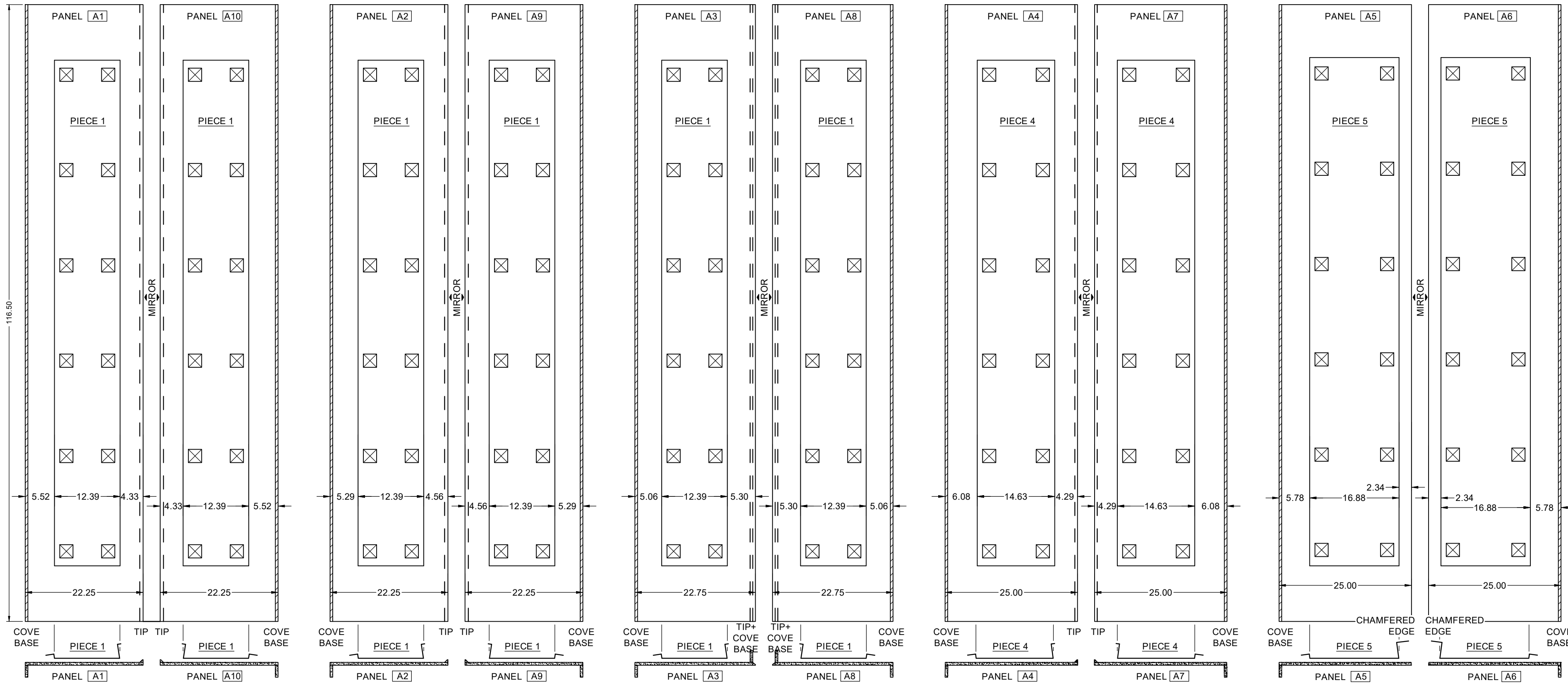
DRAWING

Cabs B, C, D, E, F
 Wood Panels
 CabSol Assembly Details

DRAWN ES
 CHECKED SM

A305

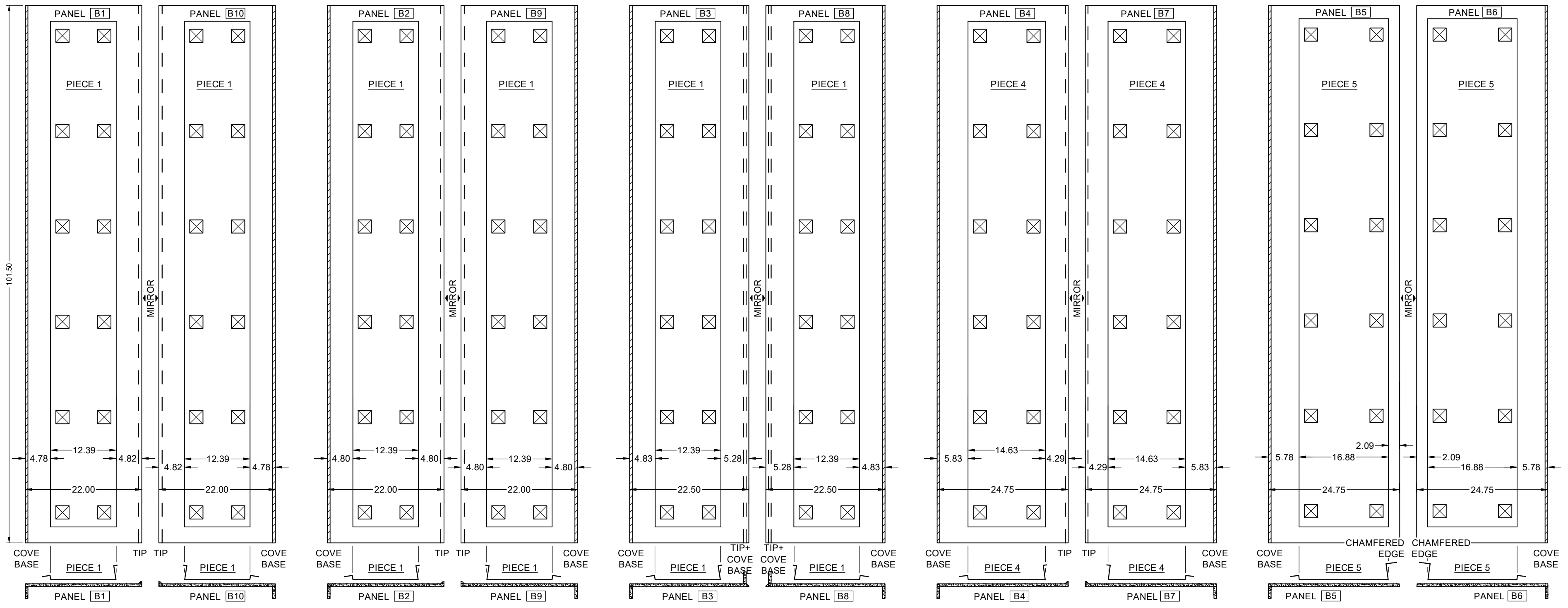
[Redacted]



Panels **A1** - **A10**
 10 Veneered Wood Panels
 116.50 inches tall
 fitted to
 Aluminum backer pieces

Panels **B1** - **B10**
 50 Veneered Wood Panels
 101.50 inches tall
 fitted to
 Aluminum backer pieces

REVISIONS
 [Redacted]



PROJECT TITLE
 [Redacted]

PRINCIPAL
 [Redacted]

PROJECT ADDRESS
 [Redacted]

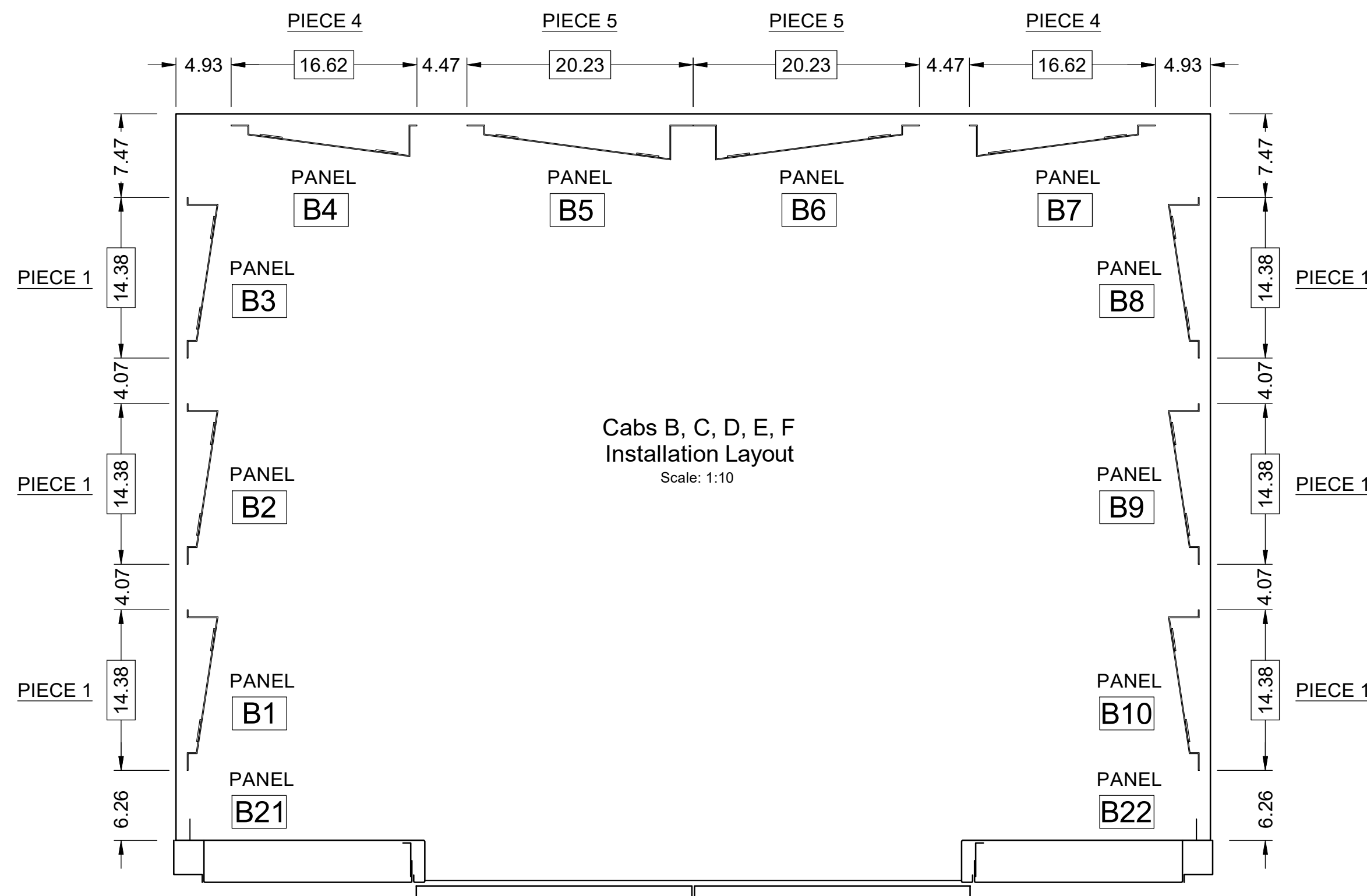
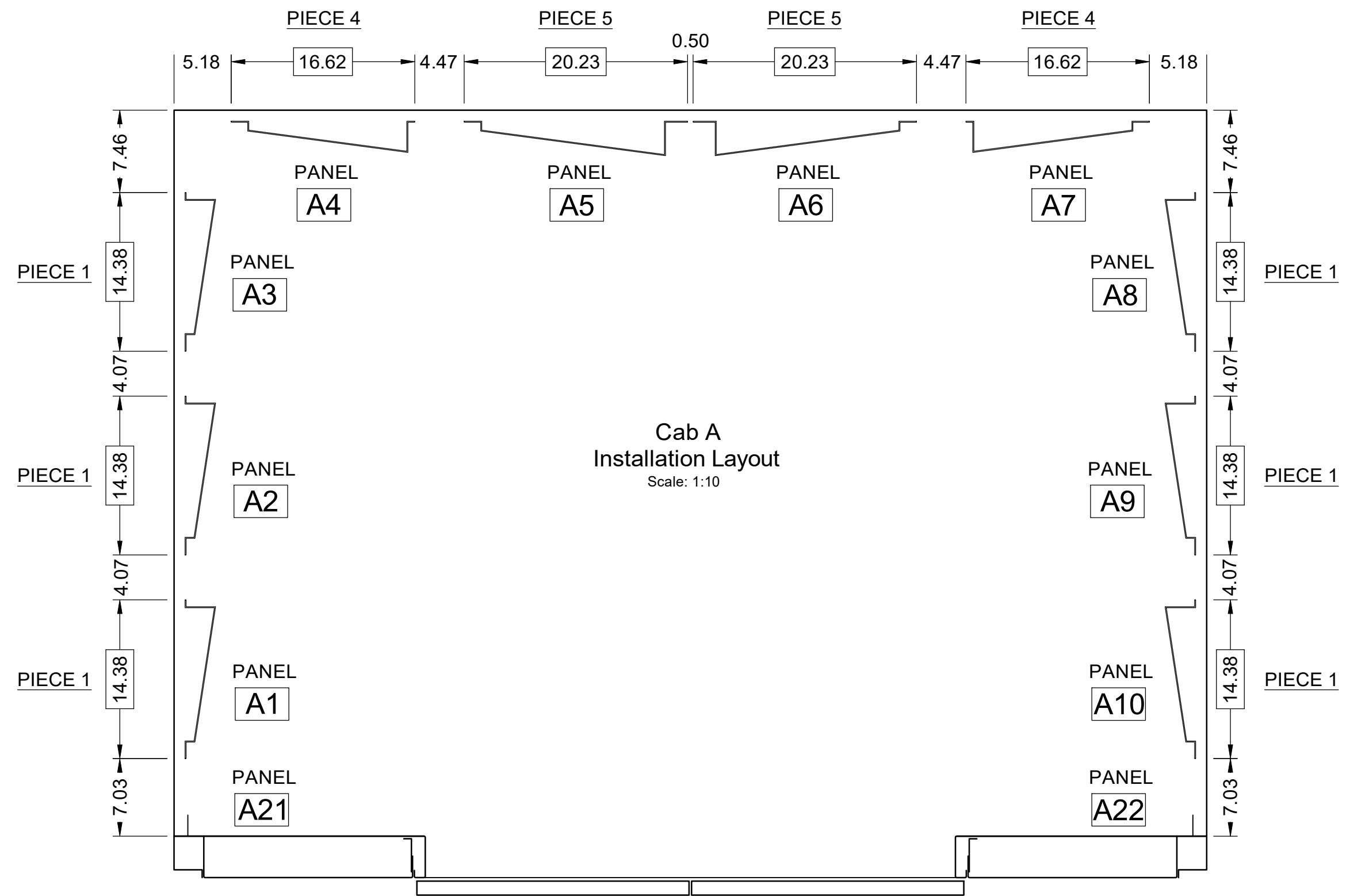
DATE
 [Redacted]

SHEET 9 of 10 SCALE 1:15

DRAWING
 Cabs A, B, C, D, E, F
 CabSol
 Dryfit Metal + Wood

DRAWN ES
 CHECKED SM
A401

[Redacted]



| REVISIONS | |
|---|-------|
| | |
| PROJECT TITLE | |
| | |
| PRINCIPAL | |
| | |
| PROJECT ADDRESS | |
| | |
| DATE | |
| SHEET | SCALE |
| 10 of 10 | 1:10 |
| DRAWING | |
| Cabs A, B, C, D, E, F CabSol Installation Layout | |
| DRAWN | A402 |
| ES | |
| CHECKED | |
| SM | |